

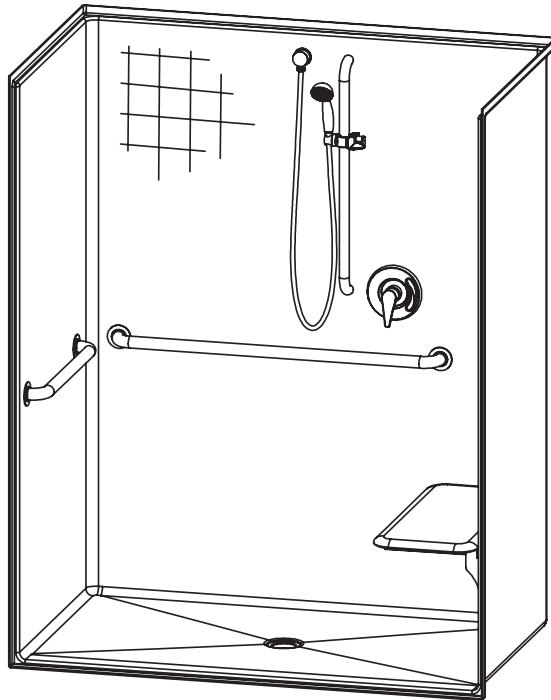
# 1603BFSTMA – ACCESSIBLE SHOWERS

inches

Interior: 60 x 34 x 75 ¼

Exterior: 62 x 36 ¼ x 77 ¼

The 1603BFSTMA roll-in shower features innovative installation design, including an engineered leveled base and improved front threshold. A true time and money saver, our pre-leveled base lets you install directly on a **level** floor. And its front threshold is engineered to keep a constant level without the use of brackets during installation.



## AQUATIC ADVANTAGE

- 6 manufacturing facilities
- Private fleet
- Centralized customer service
- Field support

## COLOR & TRIM OPTIONS

Stock	Upgraded
White	Almond Biscuit Bone

\*\*Additional custom colors available.  
(Contact Customer Service)

## FEATURES

- Massachusetts only
- Pre-leveled base
- AcrylX™ applied acrylic surface
- ¾" skirt
- No threshold
- Barrier free when properly installed
- Smooth tile
- Center drain
- Lifetime limited warranty (30 year commercial)

## OPTIONS

- Grab bars
- Fold-up seat
- Hand-held shower assembly with slide bar
- Pressure balancing mixing valve
- Soap dish
- Curtain rod and/or shower curtain

## CODE COMPLIANCE

- 521 CMR
- \*\*Code compliant when fully equipped and installed according to guidelines.



Aquatic products may be specified as Lasco Bathware.

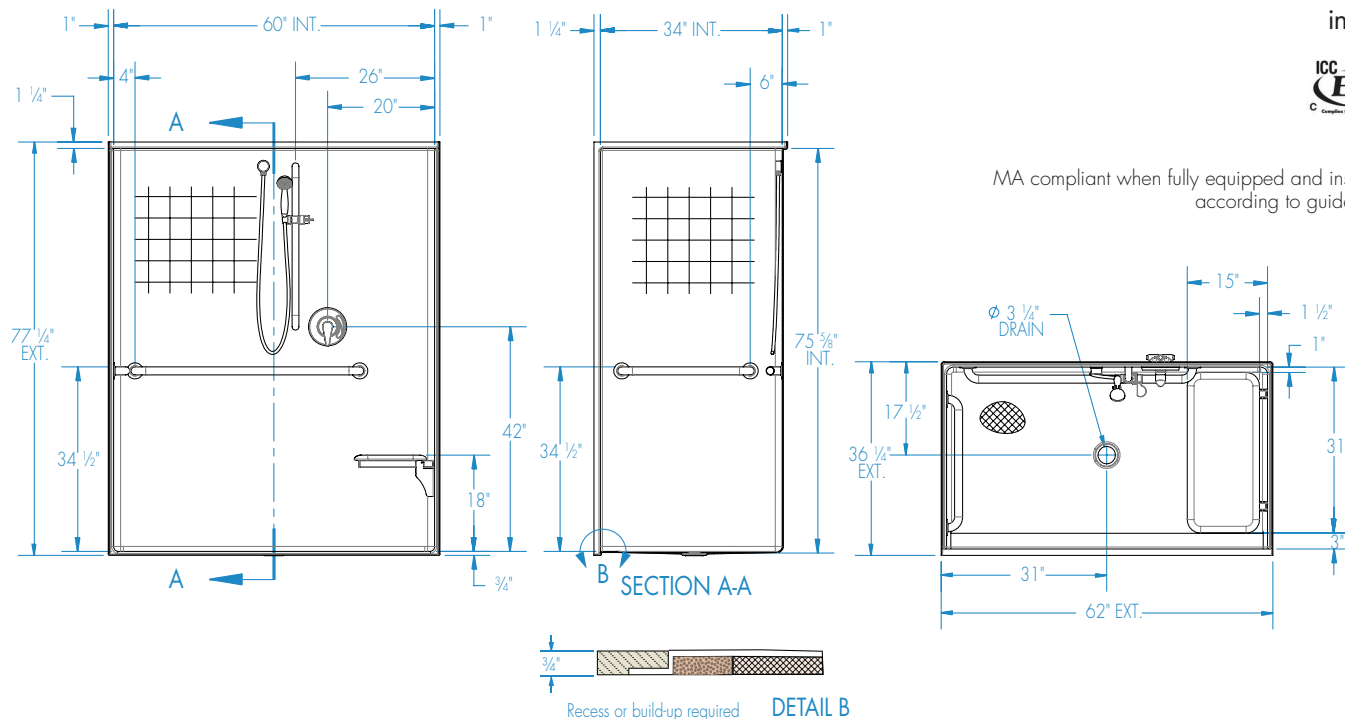


# 1603BFSTMA

Interior: 60 x 34 x 75 ¼  
Exterior: 62 x 36 ¼ x 77 ¼  
inches



MA compliant when fully equipped and installed according to guidelines.



## FEATURES

Dimensional Tolerance ± ⅛". Dimensions needed for site preparation should be measured from the unit. Aquatic assumes no responsibility for preparatory work.

Type and Model #	Material	Wall Finish	Pieces	Drain	Dam/Skirt Height	Net Wt. lbs	Pkg. Wt. lbs
Shower #1603BFSTMA	AcrylX™	Smooth tile	1	Center	¾" skirt, NO threshold	202	212

## DIMENSIONS

Specifications	inches
Width: Overall / Net	62 / 60
Depth: Overall / Net	36 ¼ / 34
Height: Overall / Net	77 ¼ / 75 ¼
Enclosure Opening:	60
Skirt Height:	¾
Drain Rough-In (from Back Wall)	17 ½
Drain Rough-In (from Side Wall)	31

## FRAMING DIMENSIONS inches

Type	D Depth	W Width	H Height	A	B	C
Alcove	36 ¼	62 ⅝	-	Box Out	31	17 ½

