

33" LANGLEY DOUBLE BOWL FARMER SINK

Cat. No
FSDB1530



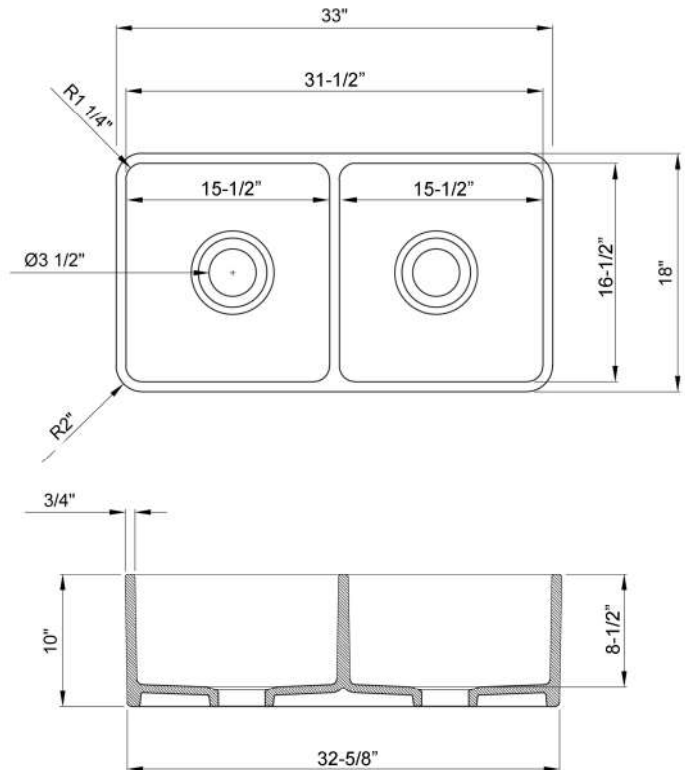
W: 33"
D: 18"
H: 10"

Features:

- ▶ Constructed of fine fireclay for beauty and durability
- ▶ Fireclay provides a smooth, waveless surface
- ▶ Non-porous surface resists heat, stains and cracking
- ▶ 3/4" rim
- ▶ Available in 6 finishes
- ▶ Sink is finished on three sides
- ▶ Features 2 bowls of the same size
- ▶ Wire Grids to be purchased separately
- ▶ IAPMO tested & approved for UPC, IPC and National Plumbing code of Canada.

Colors

WH White	CO Cobalt
BQ Bisque	GR Grey Matte
BL Black	DGR Dark Grey Matte



Each Bowl Interior Dimensions :

Basin Interior: 15-1/2" W x 16-1/2" D
Basin Depth: 8-1/2"

Dimensions of fixture are nominal and may vary within the range of tolerances established by ANSI Standard A112.19.2. Dimensions and specifications subject to change without notice.