



8170-158, 8170-158-1 Swing-Away Grab Bar

1½" O.D. heavy duty stainless steel swing-away grab bar:

- Model 8170-158
- Model 8170-158-1 (with integral tissue dispenser)

Product Materials

TUBING: 1½" O.D., 18 gauge type stainless steel construction with exposed surfaces in architectural satin finish. All welds ground and polished to blend. Mandrel bending process maintains uniform bar diameter.

WALL FLANGES: ¾" thick stainless steel with exposed surfaces in architectural satin finish.

Strength

When properly mounted, the Bradley Swing-Away Grab Bar meets or exceeds the requirements of ANSI Standard A117.1, the ADA and ABA Accessibility Guidelines for Buildings and Facilities (ADAAG), and the Uniform Federal Accessibility Standard (UFAS).

Operation

The Swing-Away Grab Bar can be rotated 180° to a support position or departure position for right- or left-hand mounting. This operation requires lifting roughly 12 lbs or the weight of the bar. To place the grab bar in the:

SUPPORT POSITION: lift bar out of ¼" notch, then rotate the grab bar forward until locking pins on the grab bar fit into notches (1" deep) on the wall and floor flanges. When in the support position, the grab bar is locked in place.

DEPARTURE POSITION: lift bar out of 1" notch, then rotate the grab bar backward until locking pins on the grab bar are resting in notches (¼" deep) on the wall and floor flanges. When in the departure position, the grab bar is retained from moving forward until it is locked in the support position.

Installation

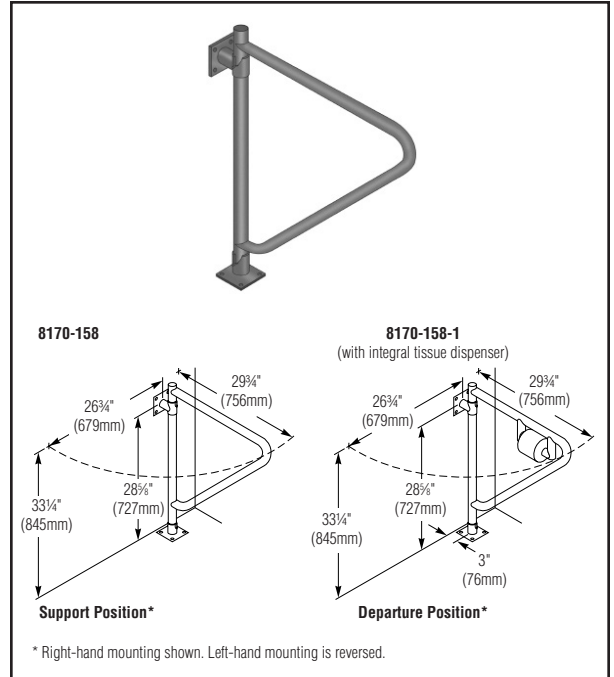
Verify all rough-in dimensions prior to installation. Secure to wall where adequate in-wall backing exists. Use bar as template to locate mounting holes. Drill holes and set anchors as appropriate. Mount grab bar and secure mounting screws. (For information on Bradley grab bar mounting kits, visit bradleycorp.com.)

Optional Features

Features	Suffix
<input type="checkbox"/> Safety-grip finish	-2

Guide Specification

Swing-away grab bar shall be stainless steel with exposed surfaces in architectural satin finish. Install with Bradley mounting kits as indicated.



* Right-hand mounting shown. Left-hand mounting is reversed.