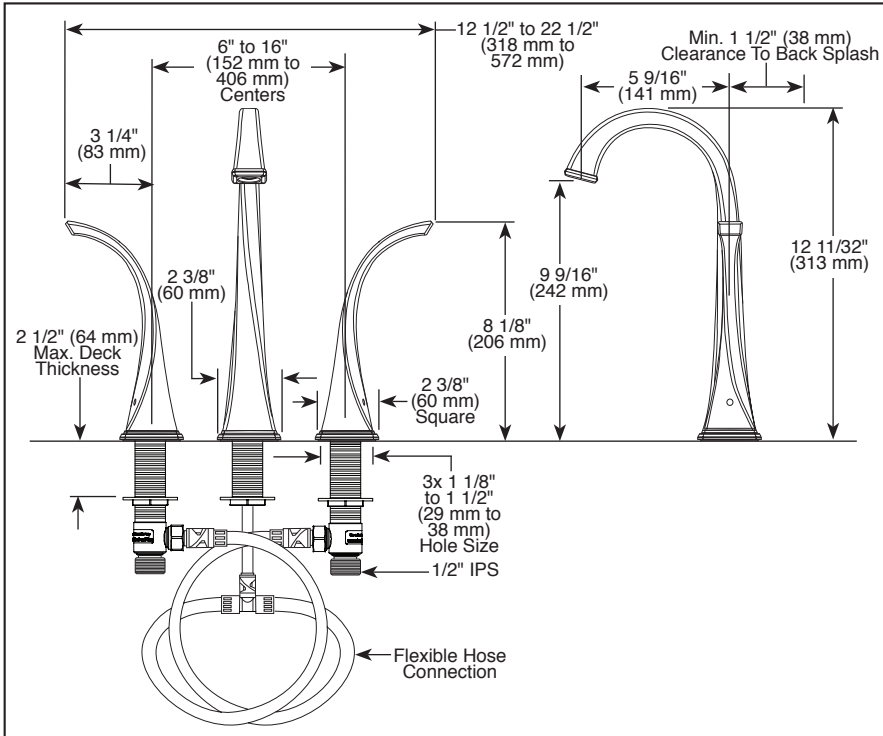





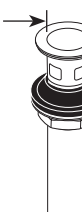


Submitted Model No.: _____

Specific Features: _____



<p>RP72411▲ Grid Strainer Drain less overflow holes</p> 	<p>RP72413▲ Push Button Drain less overflow holes</p> <p>2 3/4" (70 mm) Dia.</p> 	<p>RP81627▲ Push Button Drain less overflow holes</p> <p>1 5/8" (41 mm) Dia.</p> 
<p>RP72412▲ Grid Strainer Drain with overflow holes (Included)</p> 	<p>RP72414▲ Push Button Drain with overflow holes</p> <p>2 3/4" (70 mm) Dia.</p> 	<p>RP81628▲ Push Button Drain with overflow holes</p> <p>1 5/8" (41 mm) Dia.</p> 

▲ Designate Proper Finish Suffix

BRIZO®

WIDESPREAD VESSEL BATHROOM FAUCETS

- Virage® Bath Collection
- Two Handle Widespread Deck Mount

STANDARD SPECIFICATIONS:


- Max flow rate 1.5 gpm @ 60 psi, 5.7 L/min @ 414 kPa
- Max flow rate (ECO models only) 1.2 gpm @ 60 psi, 4.5 L/min @ 414 kPa
- Three hole mount
- Control mechanism shall be of the rotating ceramic cylinder type with 90° (1/4 turn) rotation
- Metal grid strainer with overflow included

WARRANTY

- Parts and Finish - Lifetime limited warranty; or for commercial purchasers, 10 years for multi-family residential (apartments and condominiums) and 5 years for all other commercial uses, in each case from the date of purchase.
- Electronic Parts and Batteries (if applicable) - 5 years from the date of purchase; or for commercial purchasers, 1 year from the date of purchase. No warranty is provided on batteries.



COMPLIES WITH:

- ASME A112.18.1 / CSA B125.1
- ASME A112.18.2 / CSA B125.2
-  Indicates compliance to ICC/ANSI A117.1 - Valve control only
- EPA WaterSense®
- Verified compliant with .25% weighted average Pb content regulations.