

SB-85, SB-85W, SB-85B

Steampunk Handshower Slide Bar

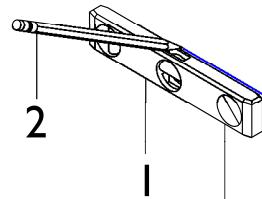
Installation Instructions

CALIFORNIA FAUCETS RECOMMENDS THAT ALL PLUMBING PRODUCTS BE INSTALLED BY A LICENSED PROFESSIONAL

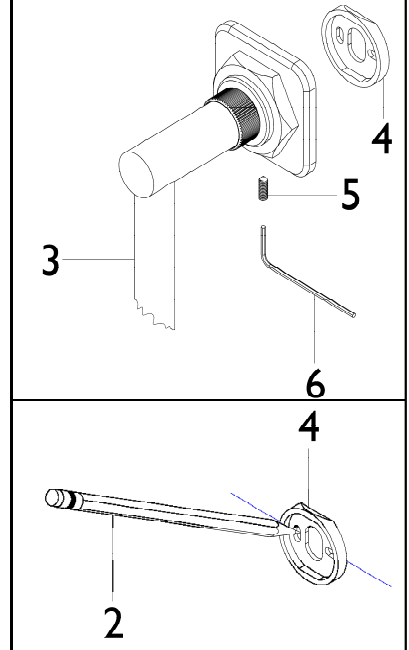
IMPORTANT: Read all instructions prior to installation and provide copy of instructions to consumer.

1 PRIOR TO MOUNTING

- Use LEVEL (1) and PENCIL (2) to mark two horizontal lines $21\frac{7}{8}$ " top and bottom from each other on finished wall as shown.
- Use KEY (6) and loosen SETSCREW (5) to remove MOUNT (4) from BAR (3)
- Align the two holes from the MOUNT (4) onto the marked horizontal lines.
- Mark the hole locations from the MOUNT and drill the holes using $\frac{3}{16}$ " bit.
- Use LEVEL (1) and repeat for bottom MOUNT location, ensuring MOUNTS are directly vertical from each other.

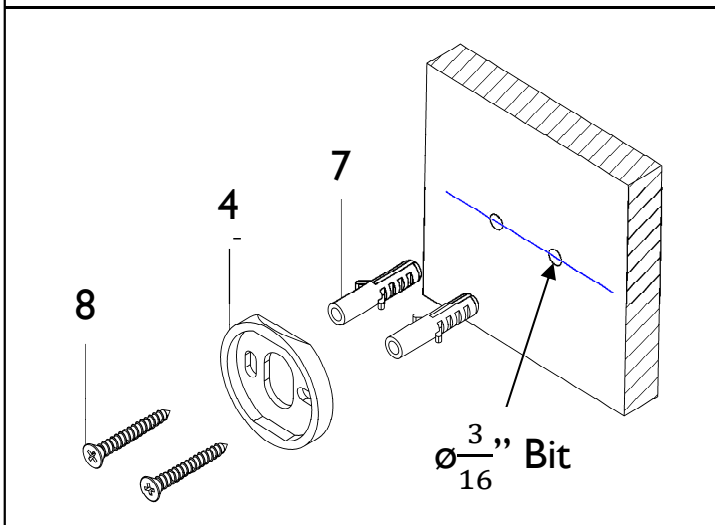


$21\frac{7}{8}$ "



2 MOUNTING TO FINISHED WALL

- Install ANCHOR (7) into drilled holes and place MOUNT (4) on wall
- Secure MOUNT in place with supplied SCREWS (8)



3 ATTACHING BAR TO MOUNT

- Place BAR (1) onto top & bottom MOUNTS (4)
- Secure BAR (1) in place and tighten SETSCREWS (5) using hex KEY (6)

