



TO-V300I-7, TO-V300IF-7, TO-V300IK-7,
TO-V800I-7, TO-V800IW-7, TO-V640I-7,
TO-V300I-9, TO-V300IF-9, TO-V300IK-9,
TO-V800I-9, TO-V800IW-9, TO-V640I-9,

Single Handle Lavatory Wall Faucet Trim Only Installation Instructions

CALIFORNIA FAUCETS RECOMMENDS THAT ALL PLUMBING PRODUCTS BE INSTALLED BY A LICENSED PROFESSIONAL

IMPORTANT: Read all instructions prior to installation and provide copy of instructions to consumer.

Operating Specifications:

Recommended Supply Pressure: 20 to 70 psi*†

Maximum Flow Rate: 1.2 gpm

* Operating pressures between hot and cold supplies should vary no more than 30 psi.

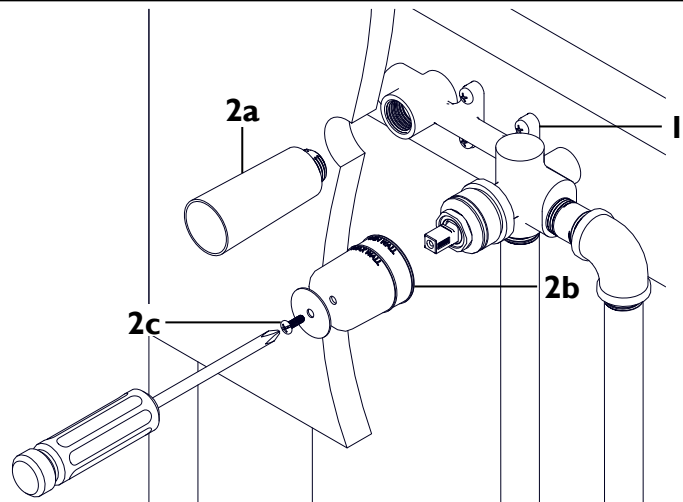
† If water pressure exceeds 70 psi, install a Pressure-Reducing Valve (PRV).

1 REMOVING MUDGUARDS

- Prior to installing faucet trim, in-wall vessel rough VALVE (1) (SHV-R) must be properly installed, and wall surface must be completely finished

NOTE: Recommended spout through-hole size is $\text{Ø}1\text{-}1/4\text{'}$, recommended handle through-hole size is $\text{Ø}1\text{-}3/4\text{'}$

- Remove SPOUT MUDGUARD (2a) from VALVE (1) by turning counterclockwise
- Remove HANDLE MUDGUARD (2b) from VALVE (1) by loosening mudguard SCREW (2c)



2 INSTALLING SPOUT

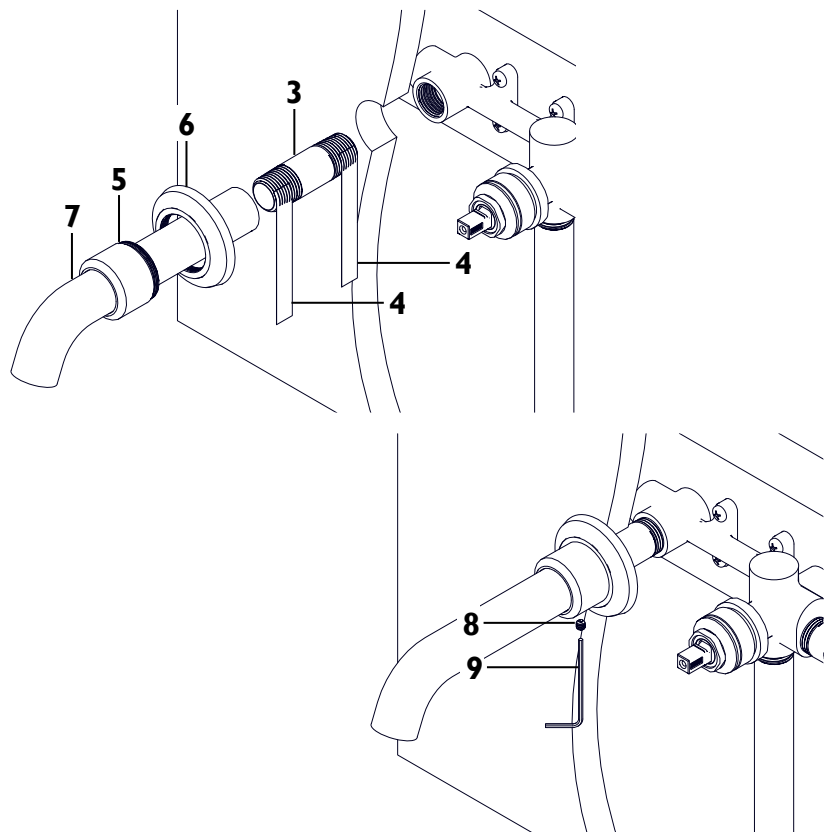
- Apply thread SEALANT (4) (not supplied) to both sides of NIPPLE (3) (not supplied) and tighten into left outlet of valve

NOTE: To determine length of nipple (not supplied), the spout needs to be "dry fit" (e.g., no use of thread sealant on fittings) to the valve through the finished wall. Depending on wall/valve depth, a custom length nipple may need to be fabricated.

- Tighten spout BASE (5) onto spout RING (6) and slide onto SPOUT (7)
- Tighten SPOUT (7) onto NIPPLE (3)
- If SPOUT (7) is not properly aligned when fully tightened, turn counterclockwise until properly aligned

IMPORTANT: Do not overtighten SPOUT (7)

- Push spout RING (6) firmly against wall, positioning setscrew hole on bottom, and tighten SETSCREW (8) with ALLEN KEY (9)

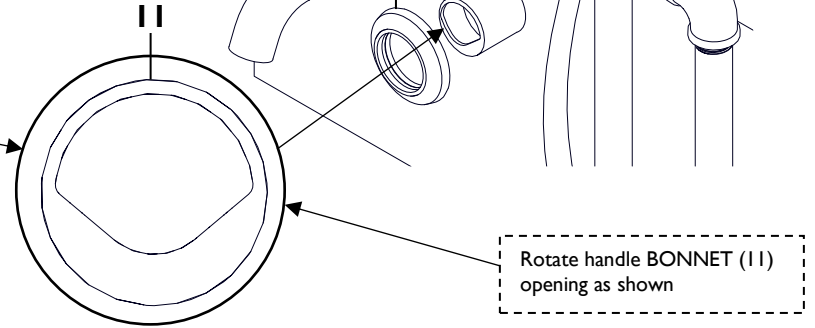


3 INSTALLING HANDLE BASE

- Slide handle RING (10) onto handle BONNET (11)
- Slide handle BONNET (11) onto right side of VALVE (1b) until an audible click sound is heard or felt indicating BONNET (11) is seated onto VALVE (1b)

IMPORTANT: Handle BONNET (11) MUST be in contact with VALVE (1b) for handle to function properly

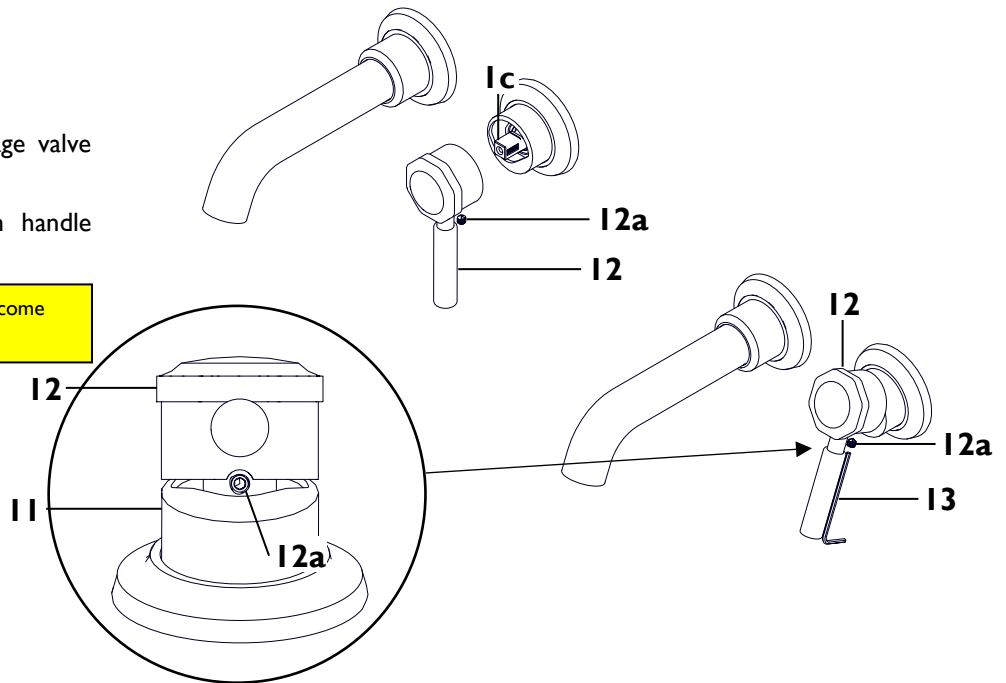
- Confirm proper orientation of handle BONNET (11)
- Push handle RING (10) firmly against wall



4 INSTALLING HANDLE

- Loosen handle SETSCREW (12a)
- Slide HANDLE (12) down onto and engage valve STEM (1c)
- Tilt HANDLE (12) upwards and tighten handle SETSCREW (12b) with ALLEN KEY (13)

IMPORTANT: Water supply must be off, or water will come out of the spout.



5 FINAL CONNECTIONS

- Remove AERATOR (14) using aerator KEY (15) and turn faucet HANDLE (12) to the full-on-mixed position
- Turn on hot and cold water-supplies and flush water lines for one minute

IMPORTANT: This step flushes away any debris that could cause damage to internal parts.

- Re-install AERATOR (14) using aerator KEY (15)
- Check all connections for leaks; re-tighten if necessary

