

Features

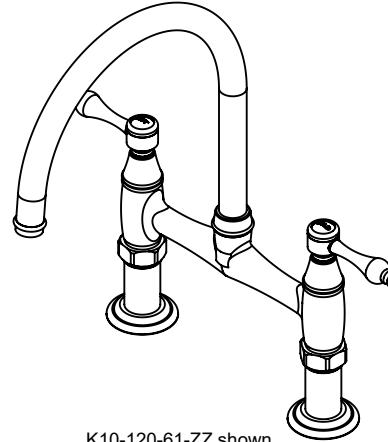
- 25+ artisanal finishes including 12 PVD finishes
- All brass construction
- Spout rotates 360°
- 2-hole deck mount installation
- Flexible braided hoses for ease of installation
- 1/4 turn ceramic disc cartridge(s)
- 1.8 gpm (6.8 L/min) max flow rate

K10-120-XX

Codes/Standards Applicable

Product meets or exceeds the following:

- ASME A112.18.1/CSA B125.1
- NSF 61, NSF 372, CEC & DOE
- Commonwealth of MA
- ADA compliant (with lever handles)

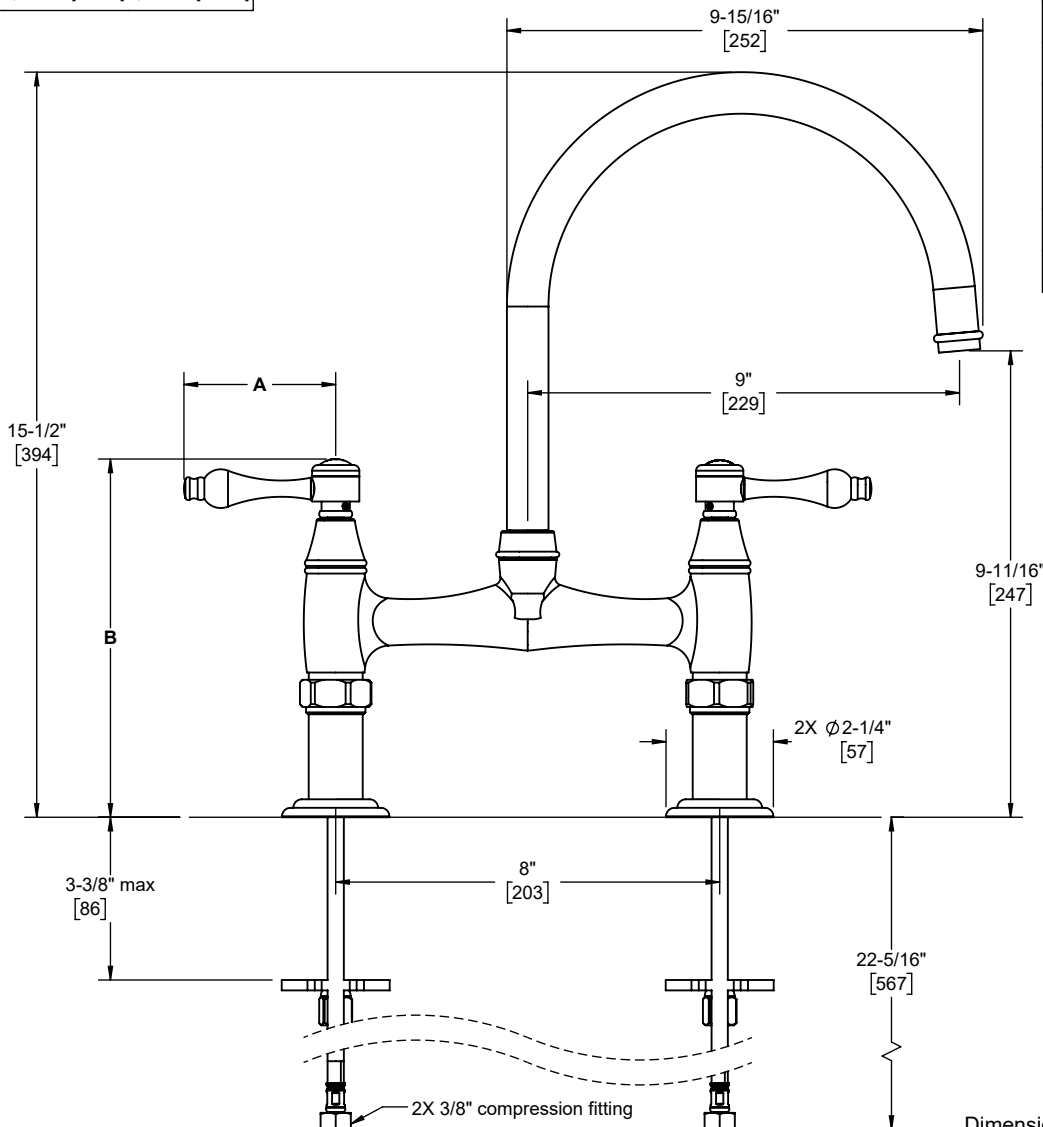


K10-120-61-ZZ shown



Through-Hole Specifications		
Min	Recommended	Max
Faucet: \varnothing 1-1/8" [29]	\varnothing 1-3/8" [35mm]	\varnothing 1-3/8" [35mm]

Handle Style	A	B
33	3-7/16" [88]	7-1/2" [190]
34	1-1/8" [29]	7-13/16" [199]
35	3-1/2" [89]	7-1/2" [190]
48	3-1/8" [79]	7-5/16" [185]
48X	1-1/2" [38]	7-5/16" [185]
60	1-1/4" [32]	7-1/2" [190]
61	3-1/8" [80]	7-1/2" [190]
61XD	1-3/8" [35]	7-13/16" [198]



Specifications subject to change without notice

Dimensions are inches, rounded to 1/16"
[Dimensions in brackets are mm, rounded to 1mm]