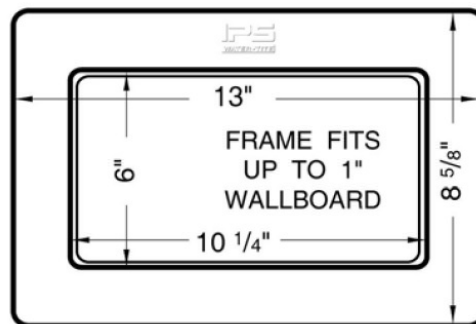
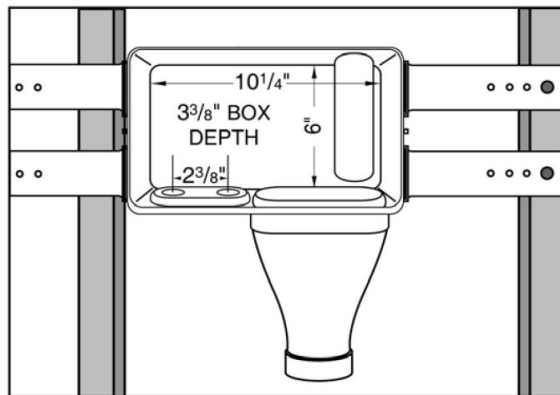
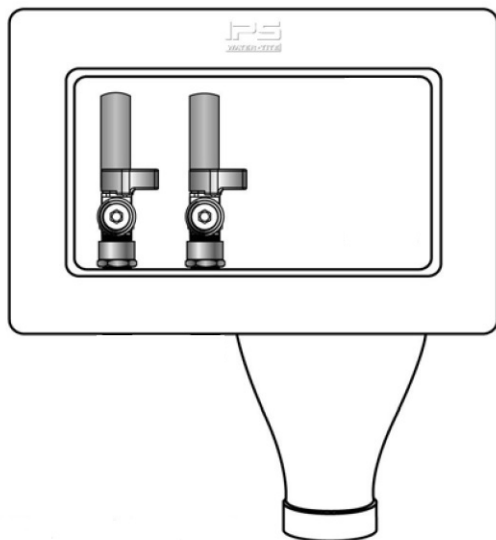


SPECIFICATION SUBMITTAL SHEET



RIGHT HAND WIDE MOUTH WMOB with Quarter Turn Arrester Valves



Specifications:

Furnish and install wide mouth washing machine outlet box with right hand drain option with integral hammer arrester quarter turn valve. Unit shall be Water-Tite product code as manufactured by IPS Corporation. Valves comply with ASME A112.18.1. Hammer arresters comply with ASSE 1010.

Item #	Product Description	Model #	Quantity
87404	Wide Mouth WMOB w/Pex Qtr. Turn Vlv. w/Arresters	W8902HA	10
Contractor Pack			
87390	Wide Mouth WMOB w/Sweat Qtr. Turn Vlv. Installed w/Arresters	W8900HACP	10
87401	Wide Mouth WMOB w/Wirsbo Qtr. Turn Vlv. Installed w/Arresters	W8911HACP	10
Top Mount Contractor Pack			
87388	Wide Mouth WMOB w/Sweat Qtr. Turn Vlv. Top Mount Installed w/Arresters	W8900HACPTM	10

