

THIS TUB COMES IN THE FOLLOWING LINES

CLASSIC

# GRENADA J-2S (SKIRTED)

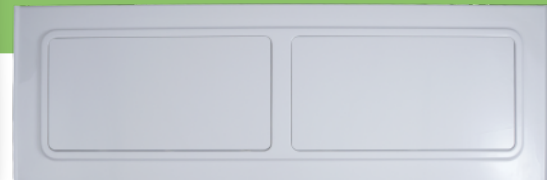
72" X 36" X 20" END DRAIN



JETTASOAK  
HYDROTHERAPY

RECTANGLE • 1 PERSON

OPERATING GALLONS  
REGULAR USAGE - 40 GAL.



## FEATURES

### GENERAL

- High-gloss, High-impact, UV-resistant acrylic will not dull or fade
- Suitable for alcove application
- Slip resistant bottom
- Integral skirt with 2-panel access design
- Molded tile flange

### COMFORT

- Armrests
- Footrests
- Lumbar back support
- Totally insulated with eco-friendly polyurethane foam for a warmer bathing experience

### CLEANLINESS

- Acrylic is easy to clean with standard non-abrasive household cleaning products

## OPTIONS AVAILABLE

- Mood or LED lights
- Bath waste & overflows
- Spa Pillows
- 6" acrylic grab bars
- Access panels

## COLORS AVAILABLE

### STANDARD COLORS

White, Biscuit

### DECORATOR COLORS

Bone, Black, Ice Grey

## WARRANTY

10-year limited factory warranty

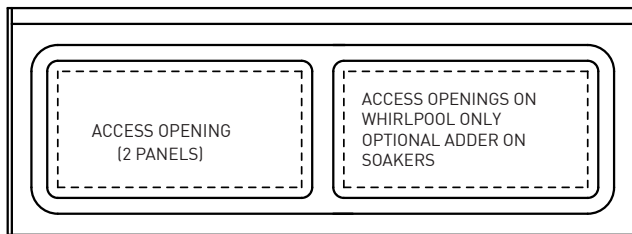
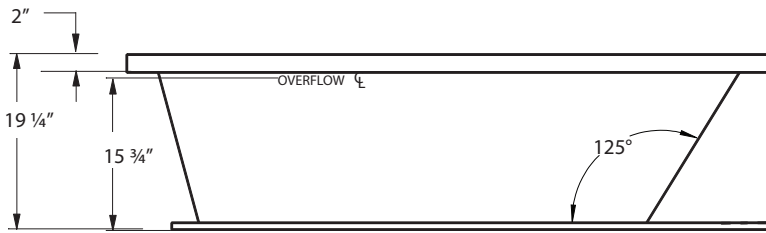
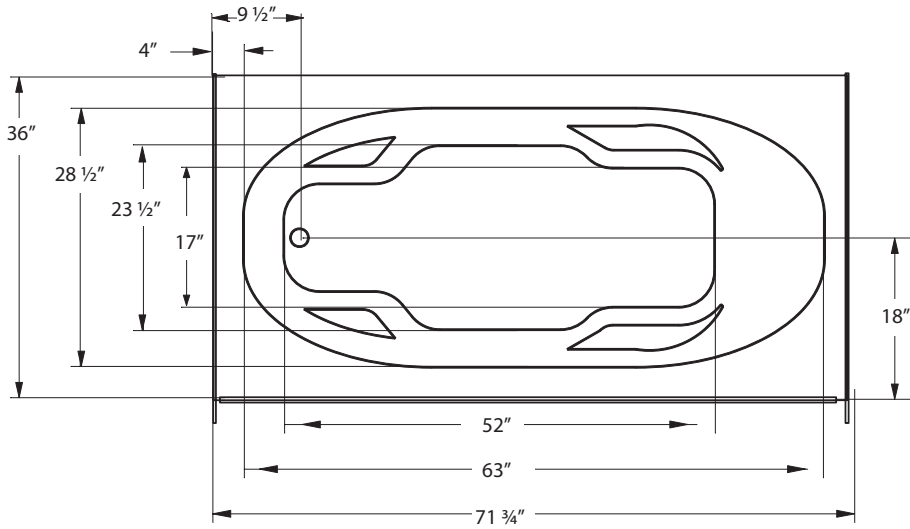


# J-2S (SKIRTED)

Classic Collection

# GRENADA

JETTA SOAK HYDROTHERAPY | 72" X 36" X 20" | END DRAIN



## INSTALLATION: MEASURE TUB BEFORE BUILDING TUB DECK.

For best results, Jetta Corporation recommends 1"-3" of mortar bedding under the tub base for maximum support. Contact Jetta for details. Dimensional variance on drawings may be +/- 1/2 inch and are subject to change without notice.

JETTACORP.COM

## ELECTRICAL SPECIFICATIONS\*

Required Electrical Service  
110/115 Volts | 15 amp GFI

## CODES/STANDARDS APPLICABLE

Specific model meets or exceeds the requirements for the following standards: ANSI, ASME

**SHIPPING WEIGHT** 195 lbs

\*Required only if optional mood or LED light is specified



© 2019 Jetta Corporation. All rights reserved. Specifications are subject to change without notice. REV 11/2019

# TECHNICAL SPECIFICATIONS