

THIS TUB COMES IN THE FOLLOWING LINES

CLASSIC

DESIGNER

CAPRI J-16

65" X 40" X 23" END DRAIN



JETTASOAK
HYDROTHERAPY

OVAL • 1 PERSON

OPERATING GALLONS
REGULAR USAGE - 40 GAL.



FEATURES

GENERAL

- High-gloss, High-impact, UV-resistant acrylic will not dull or fade
- Suitable for drop-in application
- Slip resistant bottom

COMFORT

- Armrests
- Lumbar back support
- Totally insulated with eco-friendly polyurethane foam for a warmer bathing experience

CLEANLINESS

- Acrylic is easy to clean with standard non-abrasive household cleaning products

OPTIONS AVAILABLE

- Mood or LED lights
- Bath waste & overflows
- Spa Pillows
- 6" acrylic grab bars

COLORS AVAILABLE

STANDARD COLORS

White, Biscuit

DECORATOR COLORS

Bone, Black, Ice Grey

WARRANTY

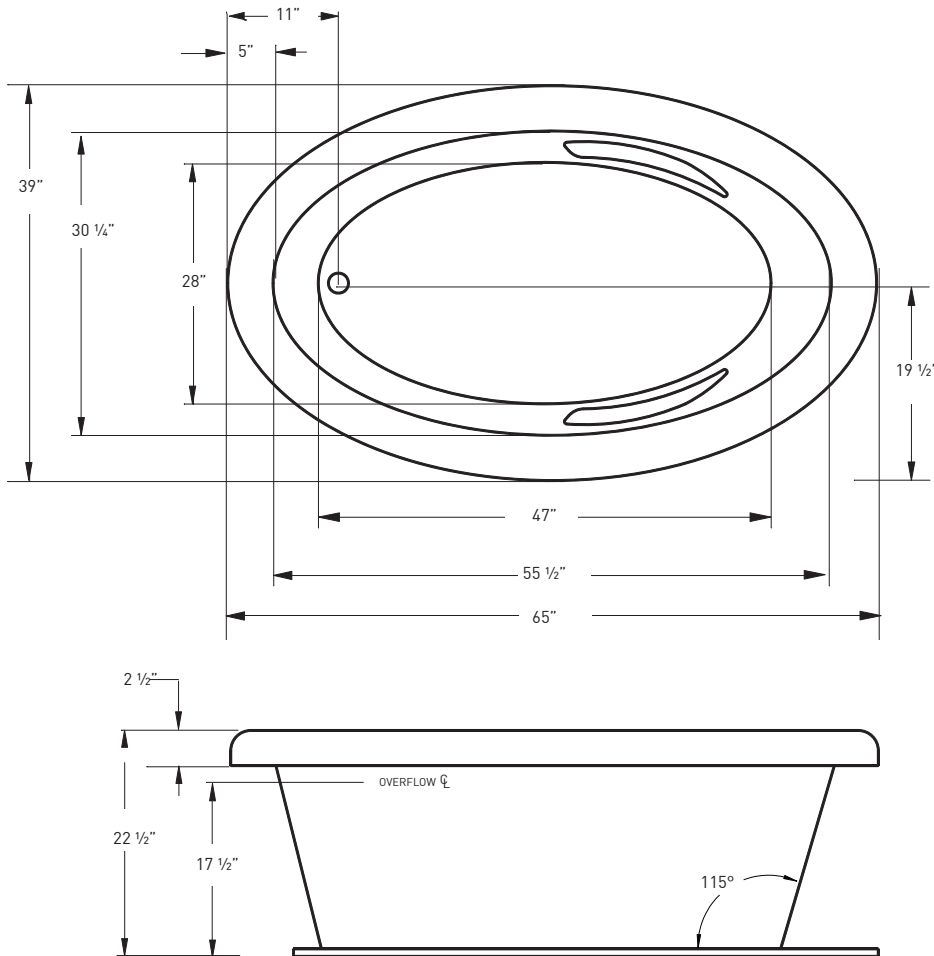
10-year limited factory warranty



J-16

Classic Collection **CAPRI**

JETTA SOAK HYDROTHERAPY | 65" X 40" X 23" | END DRAIN



ELECTRICAL SPECIFICATIONS*

Required Electrical Service
110/115 Volts | 15 amp GFI

CODES/STANDARDS APPLICABLE

Specific model meets or exceeds the requirements for the following standards: ANSI, ASME

DROP-IN CUT OUT DIMENSIONS

Template provided with tub or upon request.

SHIPPING WEIGHT 156 lbs



*Required only if optional mood or LED light is specified

INSTALLATION: MEASURE TUB BEFORE BUILDING TUB DECK.

For best results, Jetta Corporation recommends 1"-3" of mortar bedding under the tub base for maximum support. Contact Jetta for details. Dimensional variance on drawings may be +/- 1/2 inch and are subject to change without notice.

JETTACORP.COM



© 2017 Jetta Corporation. All rights reserved. Specifications are subject to change without notice.
REV 07/2017

TECHNICAL SPECIFICATIONS