



MORGAN

E142S

66" x 33" x 23" CENTER DRAIN

GENERAL

- High-gloss, high-impact UV-resistant acrylic
- Adjustable feet
- Minimalist tub design
- Integrated Linear Drain
- Skirted on three sides for wall installation

OPERATING GALLONS

63 (approx.)

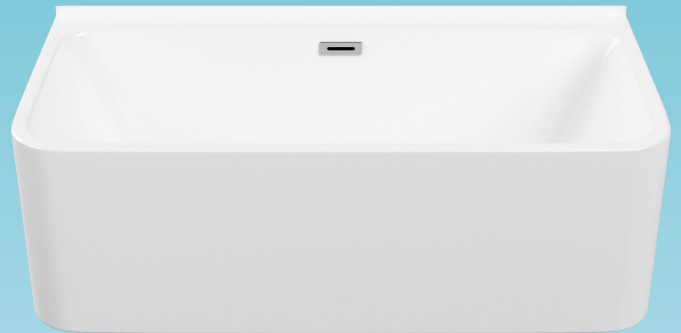
COLORS AVAILABLE

- White

INTEGRATED WASTE & OVERFLOW

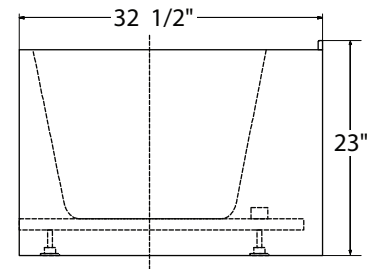
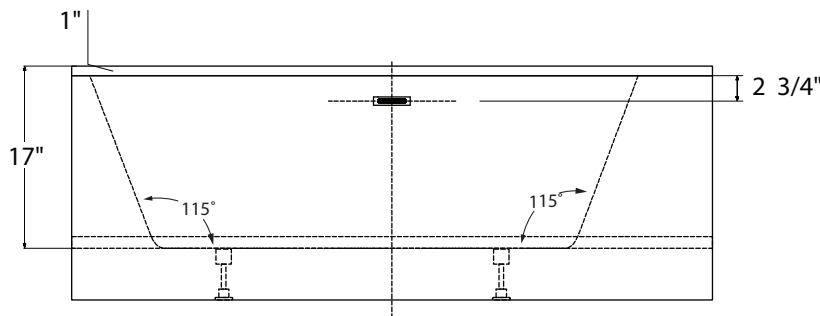
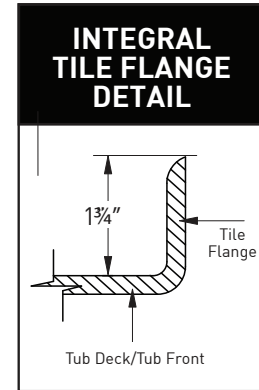
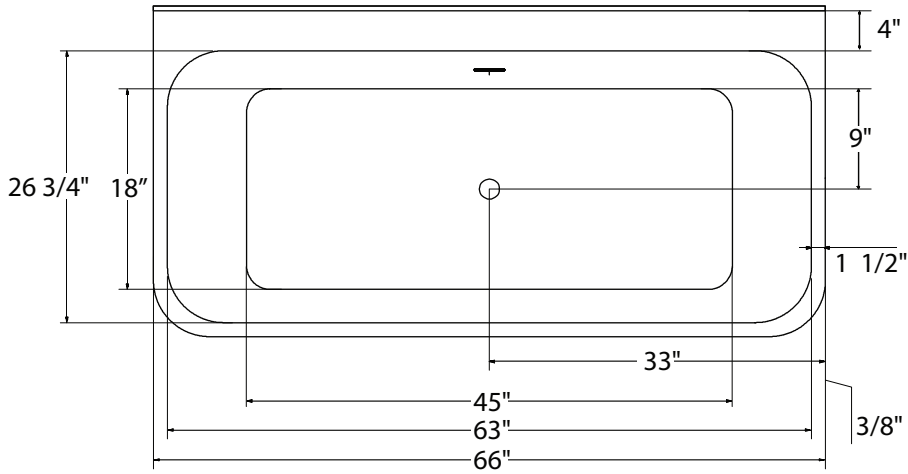
- Polished Chrome standard
- Color Match White available as upgrade

FOR INFORMATION
OR TO PLACE AN ORDER
CALL 1.800.288.7771



MORGAN E142S

JETTA SOAK HYDROTHERAPY | 66" x 33" x 23" CENTER DRAIN



CODES/STANDARDS

Specified model meets or exceeds the requirements for the following standards: ANSI, ASME

Installation: Measure tub before building tub deck. For best results, Jetta Corporation recommends 1"-3" of mortar bedding under the tub base for maximum support. Dimensional variance on drawings may be +/- 1/2 inch and are subject to change without notice.

JETTACORP.COM



© 2020 Jetta Corporation. All rights reserved. Specifications are subject to change without notice.
REV 12/2020

TECHNICAL SPECIFICATIONS