

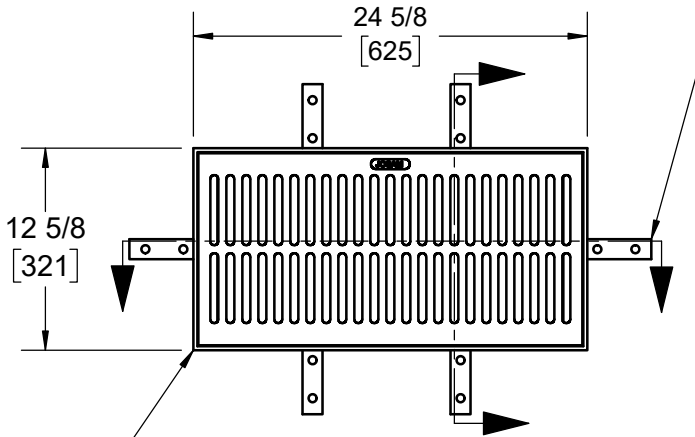
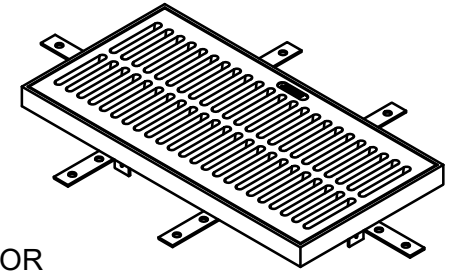
**SPECIFICATION:**

JOSAM 76500 SERIES COATED CAST IRON 12" x 24" RECTANGULAR MEDIUM-DUTY SECTIONAL TRENCH GRATE.

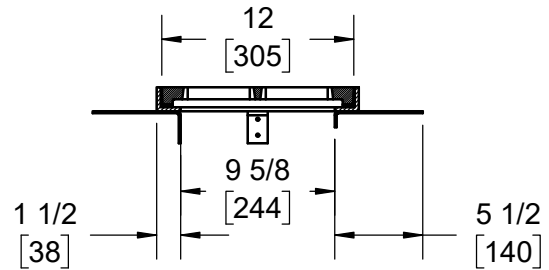
**TRENCH DRAIN**  
MEDIUM-DUTY RECTANGULAR

SERIES **76500**

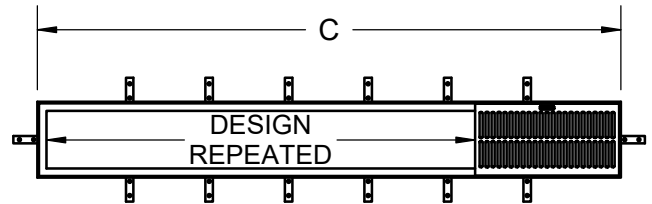
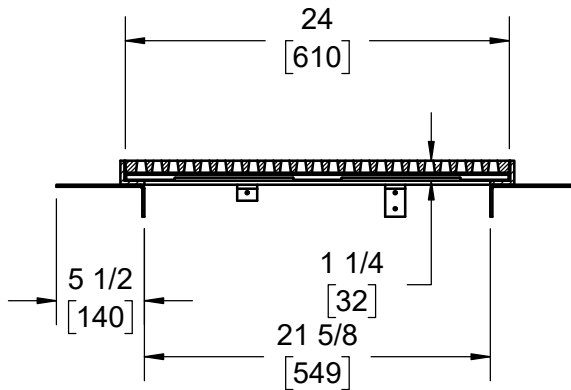
SLOT WIDTH 4-3/8" x 1/2" (-1 & -8-2 SLOT WIDTH 4-3/8" x 1/2")



FLAT BAR ANCHOR AND NAILING CLIP



TYPE 76501 GRATE AND FRAME SHOWN



'C' = (# OF GRATES x 24") + 5/8"  
INSIDE CHANNEL WIDTH = 'C' - 3"  
GRATE FREE AREA (EACH) 90 SQ. IN.  
GRATE ONLY DIMENSIONS = 24" x 12" x 1-1/4"  
FRAME MADE OF 1-1/2" x 1-1/2" x 1/4" ANGLE

**765\_\_**

(INDICATE ## OF GRATES)

-1	SATIN FINISH NIKALOY GRATE, STAINLESS STEEL FRAME
-7	DUCTILE IRON GRATE
-8-2	ALL BRONZE WITH SATIN FINISH TOP
-VP	SECURED GRATE, VANDAL-PROOF SCREWS
-40	GALVANIZED

PRODUCT IS NON-CANCELABLE AND NON-RETURNABLE

NAME: \_\_\_\_\_

SIGNATURE: \_\_\_\_\_

DATE: \_\_\_\_\_

WARNING: Cancer and Reproductive Harm - www.P65Warnings.ca.gov

DATE OF LAST CHANGE: 04/29/21

DIMENSIONS ARE SUBJECT TO MANUFACTURERS TOLERANCES AND CHANGE WITHOUT NOTICE. WE CAN ASSUME NO RESPONSIBILITY FOR USE OF SUPERSEDED OR VOID DATA.



NOTES