



ONCE UPON A TIME...WATER®

KAREO™

BF1985 3-Piece Deckmount Tub Filler with Handshower

SPECIFICATIONS

Features

- Solid brass construction
- Integrated check valves
- Flexible 60" hose
- Laminar
- Integrated Diverter
- High flow cartridge with ceramic disc

Colors (Finishes)

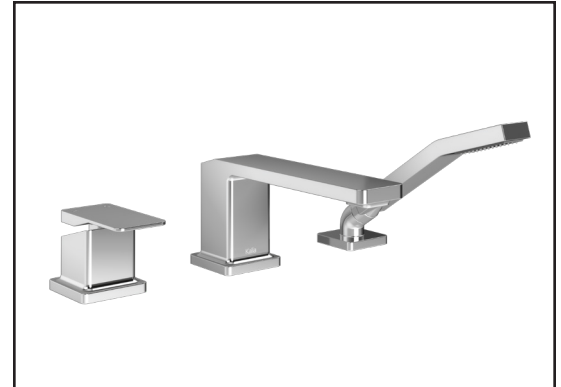
- Chrome: BF1985-110
- Matte black: BF1985-160

Maximum flow rate

- 29.3 L/min (7.75 gpm) at 60 psi

Certifications

The specified model meets or exceeds the following standards:



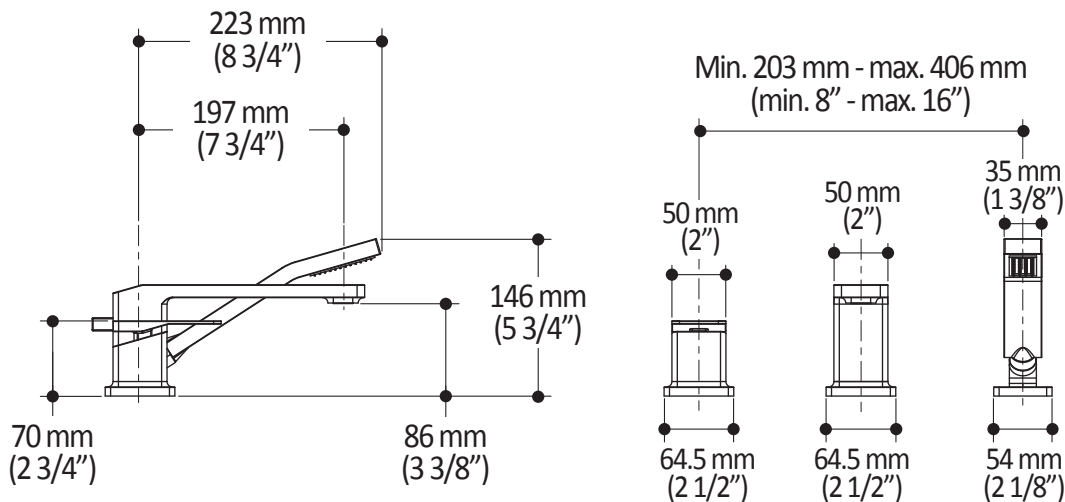
Installation Notes

This product must be installed following the installation instructions provided.

WARRANTY

Kalia Inc. guarantees all aspects of its products to be free of defects in material and workmanship for normal residential use. **Refer to the warranty included with the Kalia products for details.**

Product dimensions:



105195 required

Important: Dimensions are approximated and are subject to changes. Please refer to the installation instructions.



ONCE UPON A TIME...WATER®

1355, 2nd Street, Industrial Park
Sainte-Marie (Québec)
Canada G6E 1G9

T 418-387-9090
1-877-GO-KALIA (1-877-465-2542)
F 418 387-9089

KaliaStyle.com

