

200 PSI Butterfly Valves

Ductile Iron Body • Extended Neck • Geometric Drive • Molded-In Seat Liner • Lug and Wafer Style • 316 S.S. Trim

Sizes 2" through 12"

Install between Std. ASME Class 125/150 flanges.
Lug Style 200 PSI bi-directional dead end service rating without a downstream flange required.

THIRD PARTY CERTIFIED BY QAI TO MEET MSS SP-67 STANDARD • U.S. COAST GUARD "CATEGORY A" • CERTIFIED LEAD-FREE* BY TRUESDAIL LABS TO NSF/ANSI 61-8 COMMERCIAL HOT 180°F NSF/ANSI 372



WD-2*22
Wafer Style
Optional Liner
and CF8M Disc



LD-2*22
Lug Style
Optional Liner
and CF8M Disc

MATERIAL LIST

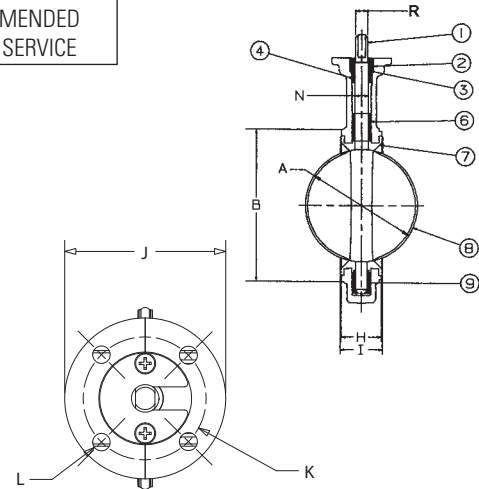
PART	SPECIFICATION
1. Stem	Stainless Steel ASTM A564 Type 17-4PH
2. Collar Bushing	Stainless Steel ASTM A276 Type 316
3. Stem Seal	Options: See Below*
4. Body Seal	Options: See Below*
5. Nameplate	Aluminum
6. Upper Bushing	Stainless Steel ASTM A276 Type 316
7. Liner	Options: See Below*
8. Disc	Stainless Steel ASTM A743 Grade CF8M
9. Lower Bushing	Stainless Steel ASTM A276 Type 316
10. Body Wafer	Ductile Iron ASTM A536
11. Body Lug	Ductile Iron ASTM A536

*Optional Liners/Seals: 0 - EPDM 1 - Buna-N (Nitrile) 2 - Fluoroelastomer
Note: only EPDM liners meet NSF 61 certification.

NOT RECOMMENDED FOR STEAM SERVICE

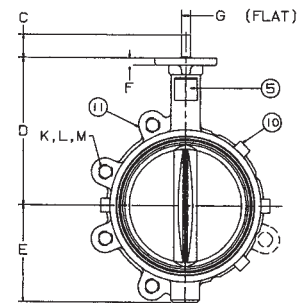
DIMENSIONS — WEIGHTS

Size	In.	mm.	A	B	C	D	E	F	G		J	N
									Flat	H		
2	50	2.53	4.00	1.25	5.38	2.88	.38	.312	1.688	1.812	3.25	.500
2 1/2	65	2.90	4.69	1.25	5.88	3.27	.38	.370	1.812	1.938	3.25	.562
3	80	3.15	5.12	1.25	6.12	3.40	.38	.370	1.812	1.938	3.25	.562
4	100	4.09	6.12	1.25	6.88	4.00	.38	.403	2.062	2.188	3.25	.625
5	125	5.13	7.25	1.25	7.38	4.75	.38	.496	2.188	2.312	3.25	.750
6	150	6.13	8.25	1.25	8.00	5.29	.38	.496	2.188	2.312	3.25	.750
8	200	8.13	10.41	1.25	9.25	6.50	.50	.560	2.375	2.500	3.25	.875
10	250	10.13	12.52	1.25	10.50	8.00	.50	.686	2.688	2.812	4.75	1.125
12	300	12.13	15.00	1.25	12.00	9.25	.50	.748	3.000	3.125	4.75	1.250



Capscrew/Stud Data

Size	In. mm.	O B.C.	P Dia.	R Dia.	K No.	L Dia.	Wafer Length	Lug Length	M		Lug Weight		Wafer Weight	
									B.C.	Lbs.	Kg.	Lbs.	Kg.	
2	50	3.25	.437	.437	4	5/8-11unc	Refer to butterfly valve technical information for bolt lengths	4 3/4	7	3.2	5.5	2.5		
2 1/2	65	3.25	.437	.500	4	5/8-11unc		5 1/2	9	4.1	7.5	3.4		
3	80	3.25	.437	.500	4	5/8-11unc		6	9.5	4.3	8	3.6		
4	100	3.25	.437	.562	8	5/8-11unc		7 1/2	15	6.8	11	5.0		
5	125	3.25	.437	.656	8	3/4-10unc		8 1/2	21	9.5	15	6.8		
6	150	3.25	.437	.656	8	3/4-10unc		9 1/2	24	10.9	18	8.2		
8	200	3.25	.437	.781	8	3/4-10unc		11 3/4	34	15.4	28	12.7		
10	250	5.00	.562	1.000	12	7/8-9unc		14 1/4	62	28.1	45.5	20.7		
12	300	5.00	.562	1.062	12	7/8-9unc		17	90	40.9	70	31.8		



WARNING: This product can expose you to chemicals including lead, which is known to the State of California to cause cancer and birth defects or other reproductive harm. For more information go to www.P65Warnings.ca.gov.

*Weighted average lead content ≤ 0.25%

Visit our website for the most current information.