

## 250 PSI Butterfly Valves

Ductile Iron Body • Extended Neck • Geometric Drive • Molded-In Seat Liner • Lug and Wafer Style

Sizes 2" through 12"

Install between Std. ASME Class 125/150 flanges.  
Lug Style 250 PSI bi-directional dead end service rating without a downstream flange required.

THIRD PARTY CERTIFIED BY QAI TO MEET MSS SP-67 STANDARD • U.S. COAST GUARD "CATEGORY A" • CERTIFIED LEAD-FREE\* BY TRUESDAIL LABS TO ANSI 372

### MATERIAL LIST

PART	SPECIFICATION
1. Stem	Stainless Steel ASTM A582 Type 416
2. Collar Bushing	Brass ASTM B16
3. Stem Seal	Buna-N Rubber
4. Body Seal	Buna-N Rubber
5. Nameplate	Aluminum
6. Upper Bushing	Copper CDA 122
7. Liner	Buna-N Rubber
8. Disc	Ductile Iron ASTM A395 (Plated)
9. Lower Bushing	Copper CDA 122
10. Body Wafer	Ductile Iron ASTM A536
11. Body Lug	Ductile Iron ASTM A536

### DIMENSIONS — WEIGHTS

Size								G	Metal Rubber		J	N
In.	mm.	A	B	C	D	E	F	Flat	H	I	Square	Dia.
2	50	2.53	4.00	1.25	5.38	2.88	.38	.312	1.688	1.812	3.25	.500
2 1/2	65	2.90	4.69	1.25	5.88	3.27	.38	.370	1.812	1.938	3.25	.562
3	80	3.15	5.12	1.25	6.12	3.40	.38	.370	1.812	1.938	3.25	.562
4	100	4.09	6.12	1.25	6.88	4.00	.38	.403	2.062	2.188	3.25	.625
5	125	5.13	7.25	1.25	7.38	4.75	.38	.496	2.188	2.312	3.25	.750
6	150	6.13	8.25	1.25	8.00	5.29	.38	.496	2.188	2.312	3.25	.750
8	200	8.13	10.41	1.25	9.25	6.50	.50	.560	2.375	2.500	3.25	.875
10	250	10.13	12.52	1.25	10.50	8.00	.50	.686	2.688	2.812	4.75	1.125
12	300	12.13	15.00	1.25	12.00	9.25	.50	.748	3.000	3.125	4.75	1.250

Size	Capscrew/Stud Data					Wafer Length	Lug Length	M	Lug Weight		Wafer Weight	
	O	P	R	K	L				B.C.	Lbs.	Kg.	Lbs.
In.	mm.	B.C.	Dia.	Dia.	No.	Dia.		B.C.				
2	50	3.25	.437	.437	4	5/8-11unc	Refer to butterfly valve technical information for bolt lengths	4 3/4	7	3.2	5.5	2.5
2 1/2	65	3.25	.437	.500	4	5/8-11unc		5 1/2	9	4.1	7.5	3.4
3	80	3.25	.437	.500	4	5/8-11unc		6	9.5	4.3	8	3.6
4	100	3.25	.437	.562	8	5/8-11unc		7 1/2	15	6.8	11	5.0
5	125	3.25	.437	.656	8	3/4-10unc		8 1/2	21	9.5	15	6.8
6	150	3.25	.437	.656	8	3/4-10unc		9 1/2	24	10.9	18	8.2
8	200	3.25	.437	.781	8	3/4-10unc		11 3/4	34	15.4	28	12.7
10	250	5.00	.562	1.000	12	7/8-9unc		14 1/4	62	28.1	45.5	20.7
12	300	5.00	.562	1.062	12	7/8-9unc		17	90	40.9	70	31.8

For actuated service where a lower torque is required use NIBCO Fig. No. WDLXXX-0 or LDLXXX-0 series, sizes 2" thru 12" only. Maximum pressure rating of 100 PSI for wet application and 50 PSI for dry application

\*Weighted average lead content ≤ 0.25%



**WD-3110**

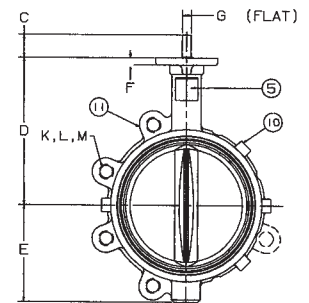
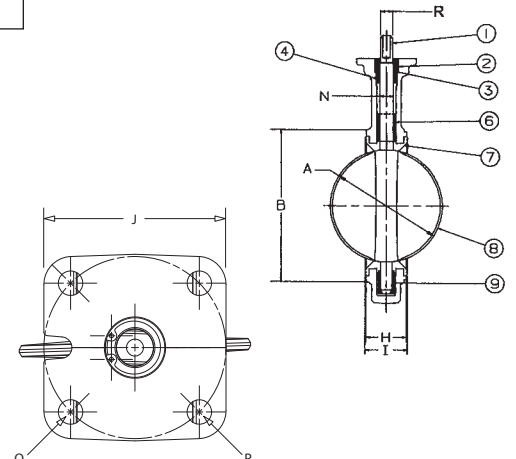
Wafer Style  
Buna-N Liner  
and Ductile Disc



**LD-3110**

Lug Style  
Buna-N Liner  
and Ductile Disc

NOT RECOMMENDED  
FOR STEAM SERVICE



**WARNING:** This product can expose you to chemicals including lead, which is known to the State of California to cause cancer and birth defects or other reproductive harm. For more information go to [www.P65Warnings.ca.gov](http://www.P65Warnings.ca.gov).

Visit our website for the most current information.