

# Lead-Free Bronze Ball Valves with Spring Return Handle

Spring Return Handle to close • Stainless Steel Trim • Silicon Performance Bronze® Alloy •  
Two-Piece Body • Full Port • Blowout-Proof Stem

**600 PSI/41 bar non-shock cold working pressure**

Lead-free markings: Double oval in body casting, white handle and blue hang tag

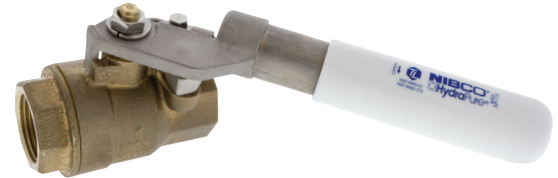
MSS SP-110/145 • NSF/ANSI/CAN 61-8 COMMERCIAL HOT 180° F • NSF/ANSI 372



NSF/ANSI 61  
NSF/ANSI 372

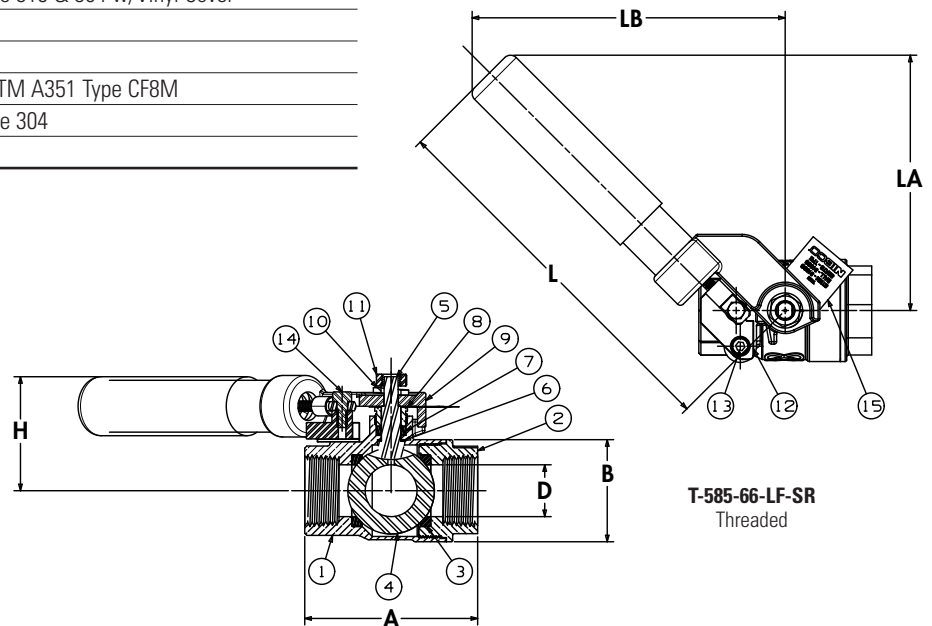
## MATERIAL LIST

PART	SPECIFICATION
1. Body	ASTM B584 C87600 DZR Lead-free Silicon Bronze Casting
2. Body End Piece	ASTM B584 C87600 DZR Lead-free Silicon Bronze Casting
3. Seats (2)	Reinforced PTFE
4. Ball (Vented)	ASTM A276 S31600
5. Stem	ASTM A276 S31600
6. Thrust Washer	Reinforced PTFE
7. Stem Packing	Virgin PTFE
8. Threaded Pack Gland	Brass ASTM B16 Alloy C36000
9. Handle assembly	Stainless Steel Type 316 & 304 w/Vinyl Cover
10. Lock Washer	Stainless Steel
11. Handle Nut	Stainless Steel
12. Mounting Plate	Stainless Steel ASTM A351 Type CF8M
13. Socket Head Cap Screw (2)	Stainless Steel Type 304
14. Hex Shoulder Bolt	Stainless Steel



**T-585-66-LF-SR**

Threaded



**T-585-66-LF-SR**  
Threaded

## DIMENSIONS—WEIGHTS

Size		Dimensions																Lbs.	Kg
In.	mm.	A		B		C		H		L		LA		LB					
¼	6.35	1.81	46	1.57	40	0.31	8	1.63	41	7.11	181	4.84	123	5.79	147	1.03	0.47		
⅜	9.53	1.81	46	1.57	40	0.38	10	1.63	41	7.11	181	4.84	123	5.79	147	1.03	0.47		
½	12.70	2.25	57	1.57	40	0.50	13	1.73	44	7.11	181	4.84	123	5.79	147	1.23	0.56		
¾	19.05	2.78	71	2.00	51	0.75	19	2.01	51	7.28	185	4.92	125	6.04	153	1.86	0.84		
1	25.40	3.34	85	1.97	50	1.00	25	2.22	56	7.28	185	4.92	125	6.04	153	2.56	1.16		
1 ¼	31.75	3.75	95	2.31	59	1.25	32	2.69	68	9.51	242	6.50	165	7.62	194	3.83	1.74		
1 ½	38.10	4.25	108	2.84	72	1.50	38	2.91	74	9.51	242	6.50	165	7.62	194	4.98	2.26		
2	50.80	4.82	122	3.54	90	2.00	51	3.15	80	9.51	242	6.50	165	7.62	194	7.48	3.39		

**WARNING:** This product can expose you to chemicals including lead, which is known to the State of California to cause cancer and birth defects or other reproductive harm. For more information go to [www.P65Warnings.ca.gov](http://www.P65Warnings.ca.gov).

Visit our website for the most current information.