

Lead-Free Bronze Ball Valves

Features: Silicon Performance Bronze® Alloy • Two-Piece Body • Conventional Port • Blowout-Proof Stem

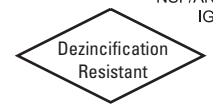
Approvals: MSS SP-110 • IAPMO IGC-157 • NSF/ANSI-61-8 Commercial Hot 180°F (includes annex F and G) and NSF/ANSI-372

Size range: 1-1/4" - 3"

Pressure rating: 600 PSI non-shock cold working pressure

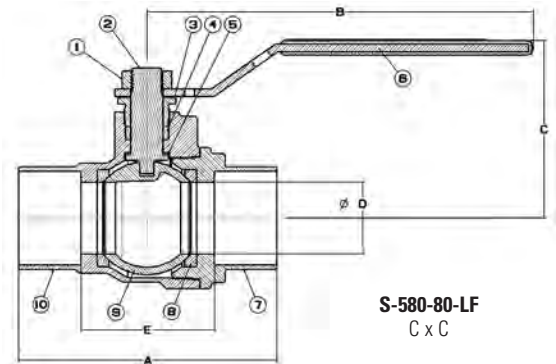
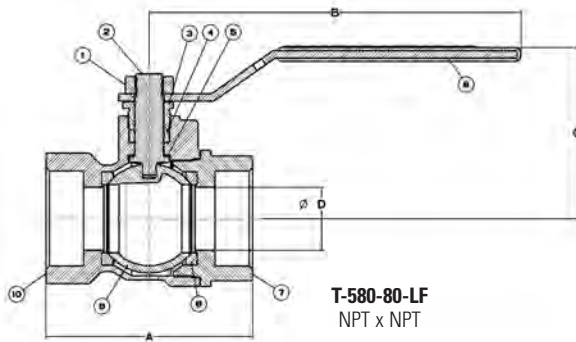
Maximum pressure / temperature: 100 PSI at 300° F

Lead-free markings: Double oval in body casting, white handle and blue hang tag



MATERIAL LIST

PART	SPECIFICATION
1. Nut, Handle	Steel, Plated
2. Stem	Silicon Bronze ASTM B371 Alloy C69300
3. Pack Gland	Brass ASTM B16 Alloy C36000
4. Packing, Stem	Virgin PTFE
5. Washer, Thrust	Reinforced PTFE
6. Handle	Steel, Plated Plastisol Coated
7. End Piece	Silicon Bronze ASTM B584 Alloy C87600
8. Seat Ring	Reinforced PTFE
9. Ball	Silicon Bronze ASTM B283 Alloy C69300
10. Body	Silicon Bronze ASTM B584 Alloy C87600



Handle Options:

- NIB-Seal® (up to 2-1/2")
- Locking lever
- Memory stop
- Extended lever w/ memory stop
- Round (up to 2 1/2")
- Horizontal and vertical chain (up to 2-1/2")

DIMENSIONS—WEIGHTS—QUANTITIES

SIZE	Dimensions												Weights				Master Ctn. Qty.													
	T-580-80-LF		S-580-80-LF		T-580-80-LF		S-580-80-LF		T-580-80-LF		S-580-80-LF		T-580-80-LF		S-580-80-LF															
In. mm.	A	A	B	C	D	E	E	F	G	G	J	J	Lbs.	Kg.	Lbs.	Kg.														
1-1/4	32	3.54	90	3.9	99	4.76	121	2.48	63	1.00	25	2.18	55	1.96	50	2.09	53	0.68	17	0.97	25	6.53	166	6.69	170	2.17	0.98	1.78	0.81	20
1-1/2	40	3.75	95	4.51	115	6.75	171	3.09	78	1.25	32	2.39	61	2.33	59	2.46	62	0.68	17	1.09	28	8.62	219	8.99	228	3.27	1.48	2.87	1.30	20
2	50	4.30	109	5.49	139	6.75	171	3.32	84	1.50	38	2.90	74	2.81	71	2.95	75	0.70	18	1.34	34	8.90	226	9.49	241	5.09	2.31	4.60	2.08	10
2-1/2	65	5.43	138	6.34	161	6.75	171	3.56	90	2.00	51	3.55	90	3.40	86	3.75	95	0.94	24	1.47	37	9.46	240	9.89	251	8.25	3.74	8.18	3.71	6
3"	80	6.16	156	7.53	191	8.06	205	4.40	112	2.50	64	—	—	4.21	107	6.61	168	1.02	26	1.66	42	11.14	283	11.83	300	14.62	7.00	13.75	6.00	4

†Patent Pending

WARNING: This product can expose you to chemicals including lead, which is known to the State of California to cause cancer and birth defects or other reproductive harm. For more information go to www.P65Warnings.ca.gov.

LEAD-FREE: Weighted average lead content ≤ 0.25%