

Bronze Ball Valves

Two-Piece Body • Full Port • Bronze Trim • Single Union Ends • Blowout-Proof Stem

600 PSI/41.4 bar non-shock cold working pressure
150 PSI/10.3 bar saturated steam**

CONFORMS TO MSS SP-110

MATERIAL LIST

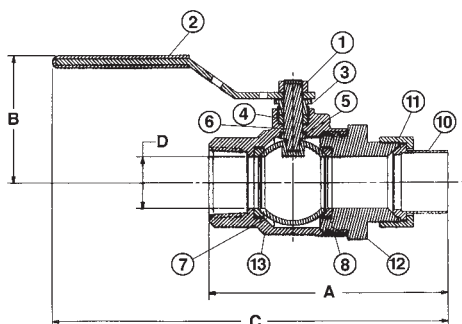
| PART | SPECIFICATION |
|------------------------|---|
| 1. Handle Nut | Zinc Plated Steel |
| 2. Handle | Zinc Plated Steel Clear Chromate Plastisol Coated |
| 3. Threaded Pack Gland | Brass ASTM B 16 Alloy C36000 |
| 4. Packing | PTFE |
| 5. Thrust Washer | Reinforced PTFE |
| 6. Stem | Silicon Bronze ASTM B 371 Alloy C69300 or ASTM B 99 Alloy C65100 |
| 7. Ball | Brass ASTM B 124 Alloy C37700 or ASTM B16 Alloy C36000 EACH with Hard Chrome Plate |
| 8. Seat Ring (2) | Reinforced PTFE |
| 9. O-Ring | FKM |
| 10. Tail Piece | ASTM B 124 Alloy C37700 |
| 11. Union Nut | ASTM B 124 Alloy C37700 or ASTM B 584 Alloy C84400 |
| 12. Body End | ASTM B 124 Alloy C37700 |
| 13. Body | Bronze ASTM B 584 Alloy C84400 |



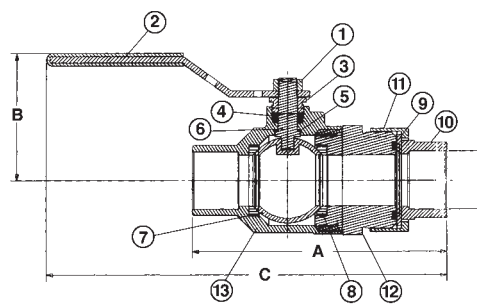
TS-585-70-SU
Threaded x Solder



ST-585-70-SU
Solder x Threaded



TS-585-70-SU
NPT x C



ST-585-70-SU
C x NPT

DIMENSIONS—WEIGHTS—QUANTITIES

Dimensions

| Size | ST-585-70-SU | | TS-585-70-SU | | ST-585-70-SU | | TS-585-70-SU | | D | | ST-585-70-SU | | TS-585-70-SU | | Master Ctn. Qty. | |
|-------|--------------|------|--------------|------|--------------|------|--------------|-------|-----|-------|--------------|------|--------------|------|------------------|----|
| | In. | mm. | In. | mm. | In. | mm. | In. | mm. | In. | mm. | Lbs. | Kg. | Lbs. | Kg. | | |
| 1/2 | 15 | 3.53 | 90 | 3.21 | 82 | 1.88 | 48 | 6.22 | 158 | 6.00 | 152 | 1.21 | .55 | 1.21 | .55 | 40 |
| 3/4 | 20 | 4.22 | 107 | 4.10 | 104 | 2.25 | 57 | 7.28 | 185 | 7.25 | 184 | 1.84 | .84 | 1.84 | .84 | 20 |
| 1 | 25 | 4.86 | 123 | 4.91 | 125 | 2.38 | 60 | 7.66 | 195 | 7.83 | 199 | 2.91 | 1.32 | 2.91 | 1.32 | 20 |
| 1 1/4 | 32 | 5.79 | 147 | 5.63 | 143 | 3.00 | 76 | 9.97 | 253 | 10.23 | 260 | 4.39 | 2.00 | 4.39 | 2.00 | 10 |
| 1 1/2 | 40 | 6.63 | 168 | 6.28 | 160 | 3.16 | 80 | 10.40 | 264 | 10.81 | 275 | 6.44 | 2.93 | 6.44 | 2.93 | 6 |
| 2 | 50 | 7.10 | 180 | 6.89 | 175 | 3.50 | 89 | 10.50 | 267 | 10.91 | 277 | 9.44 | 4.29 | 9.44 | 4.29 | 4 |

* Consult MSS SP123 for pressure temperature limitations

♦ For detailed operating pressure, refer to pressure temperature chart on page 42.

WARNING: This product can expose you to chemicals including lead, which is known to the State of California to cause cancer and birth defects or other reproductive harm. For more information go to www.P65Warnings.ca.gov.

Visit our website for the most current information.