



neelnox

LET
THERE
BE **DESIGN.**

FEATURES

- Premium 304 Grade Stainless Steel
- Solid Mount Construction
- Concealed Installation Hardware
- Solid End Cap provided for side opposite to the door for a seamless look



No Rosette



Medium Rosette

COLLECTION UNIVERSAL A

SINGLE DOOR HANDLE

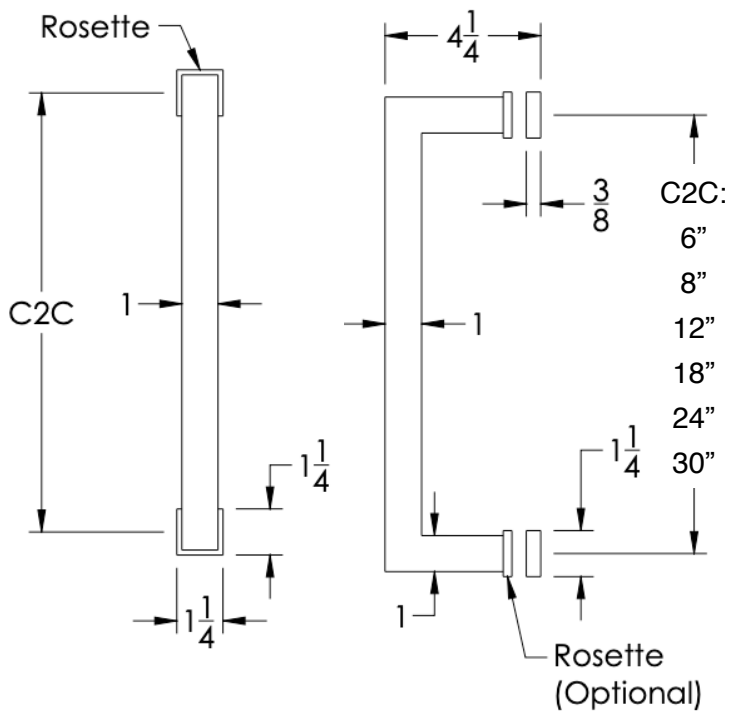
Model	Product	Finishes Available
UNI-SSDA <u>XX-XX</u>	Single Door Handle	Multiple finishes available. Over 23 finishes to choose from.

FINISHES	Polished (-P)	Antique Copper (-ACOP)	Polished Gold (-PGLD)
	Brushed (-B)	Polished Brass (-PBRS)	Brushed Copper (-BCOP)
	Brushed Gold (-BGLD)	Matte White (-WHT)	Brushed Rose Gold (-BRGD)
	Matte Black (-BLK)	Brushed Modern Bronze (-BMBRZ)	Brushed Black (-BRBLK)
	Oil Rubbed Bronze (-ORB)	Glossy White (-GWHT)	Polished Black (-PBLK)
	Brushed Brass (-BBS)	Polished Rose Gold (-PRGD)	Antique Nickel (-ANKL)
	Brushed Bronze (-BBRZ)	Unlacquered Brass (-UBRS)	Black Nickel (-NKBL)
	Antique Brass (-ABRS)	Polished Nickel (-PNKL)	

C2C	No Rosette	Medium Rosette
6"	UNI-SSDA6-NR	UNI-SSDA6-MR
8"	UNI-SSDA8-NR	UNI-SSDA8-MR
12"	UNI-SSDA12-NR	UNI-SSDA12-MR
18"	UNI-SSDA18-NR	UNI-SSDA18-MR
24"	UNI-SSDA24-NR	UNI-SSDA24-MR
30"	UNI-SSDA30-NR	UNI-SSDA30-MR

FRONT

SIDE



Installation Notes: Center to center hole drilling dimension are same as mentioned in column. Diameter of glass hole for installation is 1/2".

Standard hardware supplied can accommodate glass thicknesses 1/4" to 1/2". Please contact us for custom hardware in case glass thickness exceeds 1/2".



No Rosette



Medium Rosette

Dimensions in inches

NOTE: Dimensions subject to change without notice.