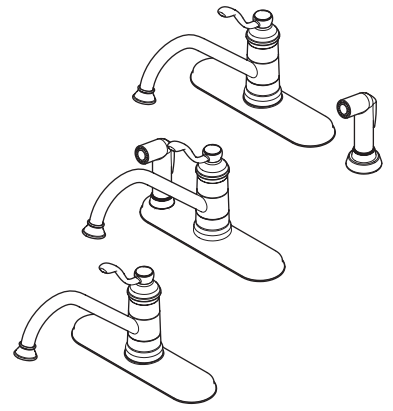


## Portland™ Single Control Kitchen Faucet

- |  |  |
|--|--|
| LG34-1PCO Finish(C) <input type="checkbox"/> | LG34-3PCO Finish(C) <input type="checkbox"/> |
| LG34-1PSO Finish(S) <input type="checkbox"/> | LG34-3PSO Finish(S) <input type="checkbox"/> |
| LG34-1PYO Finish(Y) <input type="checkbox"/> | LG34-3PYO Finish(Y) <input type="checkbox"/> |
|  | LG34-4PCO Finish(C) <input type="checkbox"/> |
|  | LG34-4PSO Finish(S) <input type="checkbox"/> |
|  | LG34-4PYO Finish(Y) <input type="checkbox"/> |

- 1, 2, 3 or 4-Hole Installation
- Pforever Seal



### Specifications

#### Features

- 1.8 GPM Flow Rate
- 360° Rotating Spout
- 1, 2, 3 or 4-Hole Installation; Includes Both Deck Plate and Single Post Mounting Ring
- Optional Deckplate (Excludes 3P)
- Includes Matching Side Spray (Excludes 1P)
- Mounting Hardware Included

- Mounting Posts Included
- Pforever Seal Ceramic Disc Valve
- Pforever Warranty®

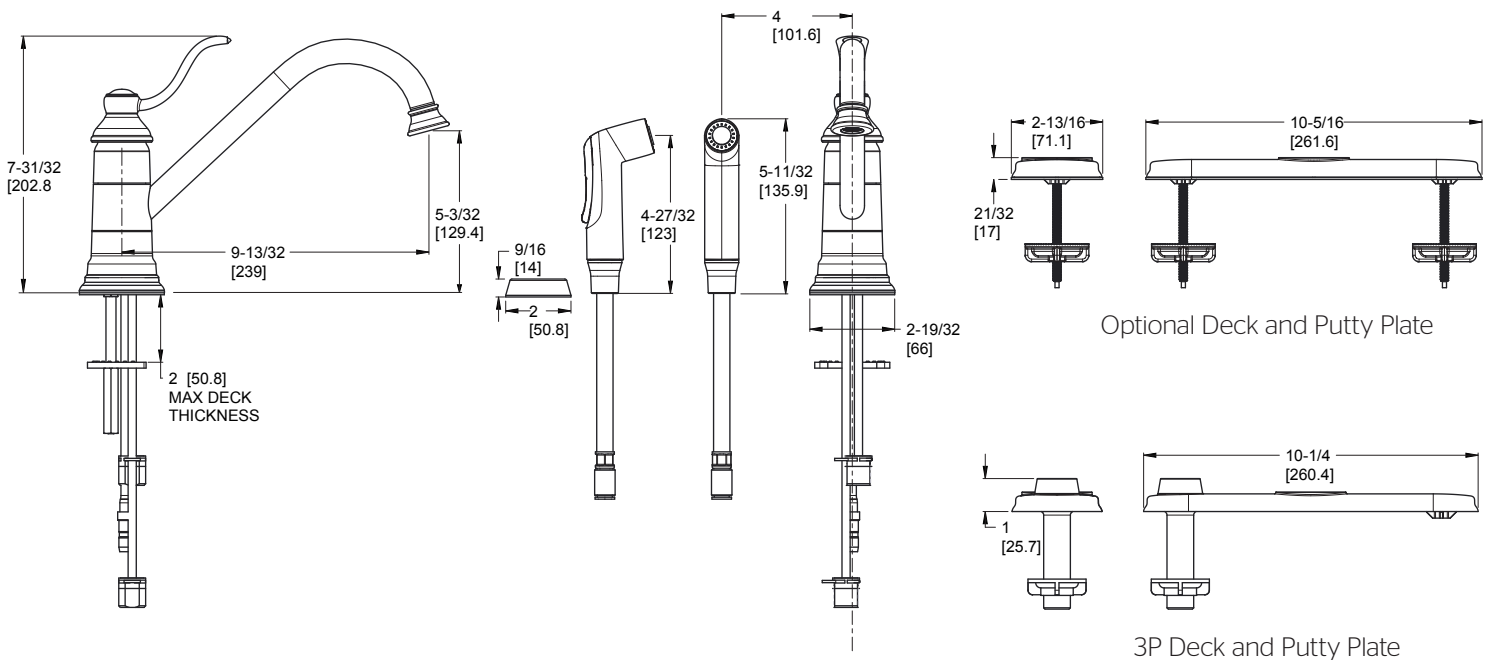
#### Code Compliance

Pfister products are designed and manufactured in compliance with the following standards and codes:

- IAPMO Certified
- CSA B125 Certified
- ASME A112.18.1
- NSF 61/9 Annex G (Low lead)
- CEC Compliant
- ADA Compliant-ANSI A117.1 (Lever handles only)
- ASME A112.18.3 (Backflow Prevention)



### Dimensions



Ø1-3/8 Min to Ø1-1/2 Max. Deck Hole Openings