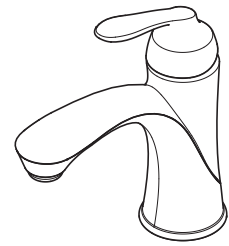


## Avalon™ Single Control Lavatory Faucet



- LG42-CB1C Finish(C)
- LG42-CB1K Finish(K)
- LG42-CB1Y Finish(Y)

### Specifications

- All Metal Construction
- Pforever Seal

### Features

- 1.2 GPM Flow Rate
- All Metal Construction
- Optional Deckplate, Must Order Both 961-146\* & 974-278\*
- Temperature Limit Stop
- Push and Seal™ Drain
- Pforever Seal Ceramic Disc Valve
- Pforever Warranty®

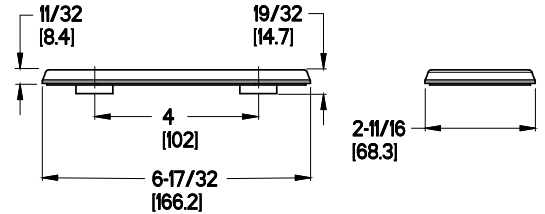
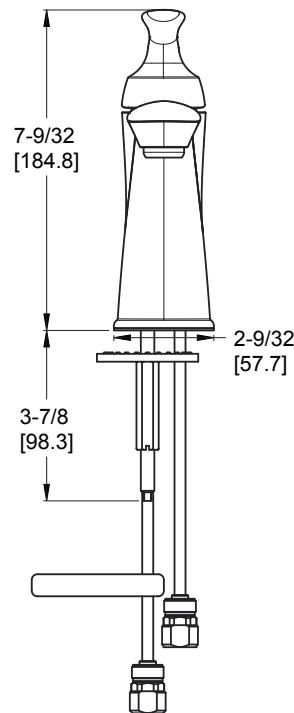
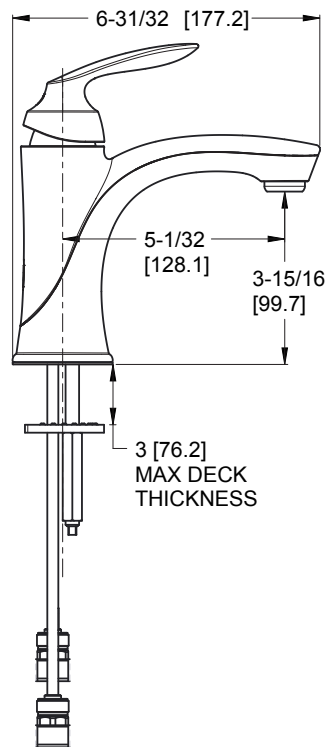
### Code Compliance

Pfister products are designed and manufactured in compliance with the following standards and codes:

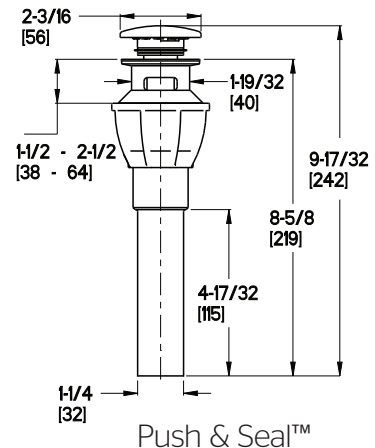
- IAPMO Certified
- CSA B125 Certified
- ASME A112.18.1
- Cal Green Compliant
- CEC Compliant
- NSF 61/9 Annex G (Low lead)
- EPA WaterSense Certification 1.2 gpm, 4.5 L/Min
- ADA Compliant-ANSI A117.1 (Lever handles only)



### Dimensions



Optional Deck and Putty Plate



Push & Seal™

Ø1 Min to Ø1-1/2 Max. Deck Hole Openings