



Figure # 5045

Brass 3-Way Ball Valve (1/2"-2")

Product Features

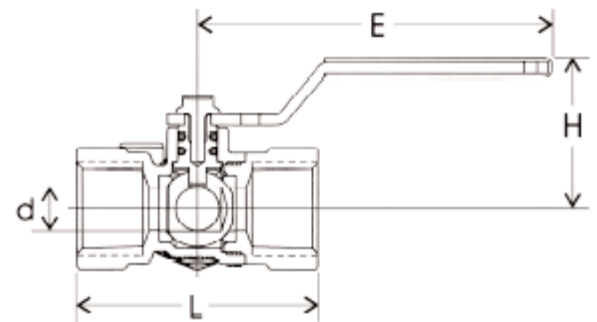
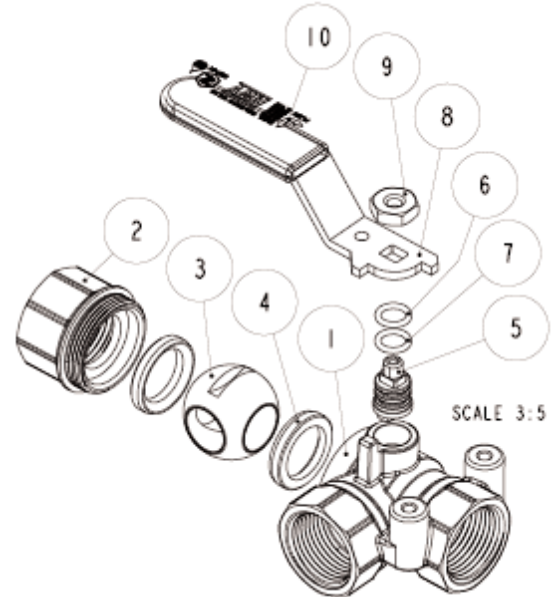
- 125#WSP / 400# WOG
- Forged 3-Way Brass Body
- Regular "L" Port Ball
- O-ring Packing
- Threaded Ends
- Blowout Proof Stem
- NSF 1/2"-2"
- Mounting pad

Pressure/Temperature Ratings

400 PSI from 15F to 160F	125 PSI MAX at 200F
--------------------------	---------------------

Materials & Specifications

Item	Description	Material	Specification
1	Body	Brass	B283 C37700
2	End Piece	Brass	B283 C37700
3	Ball	Brass/Chrome Plated	B283 C37700
4	Seat	PTFE	PTFE
5	Stem	Brass	B124 C37700
6	Handle	Zinc plated steel	A36 Dacromet
7	O-Ring	NBR	NSF Approved
8	Handle Washer	Zinc plated steel	A36 Dacromet
9	Handle Nut	Zinc plated steel	A36 Dacromet
10	Handle Print	N/A	N/A



Dimensions, Weights (inches-lbs.) & Valve Data

Size	1/2	3/4	1	1-1/4	1-1/2	2
A1	1.1	1.34	1.57	1.79	2.0	2.48
d	.39	.6	.8	.98	1.26	1.57
E	3.19	3.6	3.6	4.98	4.98	5.57
H	1.36	1.87	1.99	2.13	2.31	2.89
H1	.59	.72	.87	1.05	1.22	1.77
L	2.2	2.68	3.15	3.58	4	4.72
Wt.- lbs.	.5	.90	1.4	2.2	2.9	4.8

