

Feature

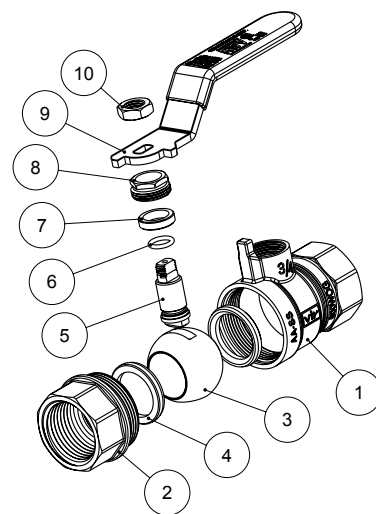
- 150# WSP / 600# WOG
- Brass body
- Full port
- Adjustable packing
- FNPT x FNPT
- Threaded ends (ASME B1.20.1-NPT)
- Blow-out proof stem
- CSA 1/2, 5 psi (1/2" - 2")



Pressure/ Temperature rating	
600 psi from 15 °F to 160 °F	150 psi max. at 366 °F

Material

	Part	Material	Specification
1	Body	Brass	ASTM B124 C37700
2	End piece	Brass	ASTM B124 C37700
3	Ball	Brass / Cr plated	ASTM B124 C37700
4	Seat	PTFE	PTFE
5	Stem	Brass	ASTM B124 C37700
6	O-ring	FKM	NSF Approved
7	Packing	PTFE	PTFE
8	Packing nut	Brass	ASTM B124 C37700
9	Handle	Steel / Dacromet® plated	A36
10	Handle nut	Steel / Zn plated	A36



Dimension, Cv, Weight

	Φ	A	C	H	L	P	Cv	Wt.
		[in]	[in]	[in]	[in]	[in]		[lb]
1/4"	1/4 - 18 NPT	1.73	0.45	1.55	3.19	0.39	8	0.34
3/8"	3/8 - 18 NPT	1.73	0.45	1.55	3.19	0.39	8	0.32
1/2"	1/2 - 14 NPT	2.13	0.55	2.13	3.60	0.59	11	0.58
3/4"	3/4 - 14 NPT	2.56	0.59	2.26	3.60	0.79	26	0.86
1"	1 - 11.5 NPT	2.92	0.71	2.57	4.98	0.98	55	1.34
1 1/4"	1 1/4 - 11.5 NPT	3.39	0.73	2.79	4.98	1.26	103	2.14
1 1/2"	1 1/2 - 11.5 NPT	3.90	0.77	3.28	5.57	1.57	111	3.12
2"	2 - 11.5 NPT	4.45	0.81	3.58	5.57	1.97	353	4.82
2 1/2"	2 1/2 - 8 NPT	6.02	1.18	4.70	11.07	2.56	409	9.78
3"	3 - 8 NPT	6.81	1.22	5.15	11.07	3.15	530	13.9

