



# Figure # 5595F

Brass Ball Valve

## Product Features

- 150# WSP / 600# WOG
- Forged Brass Body
- Full Port
- Adjustable Packing
- Solder Ends
- Blow-Out Proof Stem

Pressure/Temperature Rating	
600 PSI from 15°F to 160°F	150 PSI MAX at 366°F

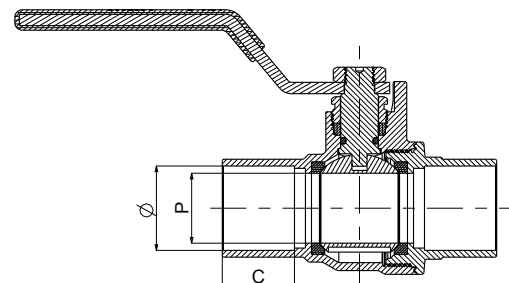
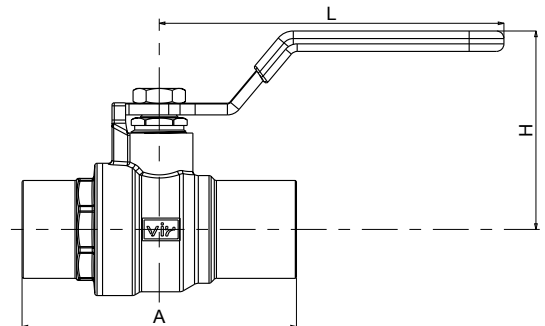
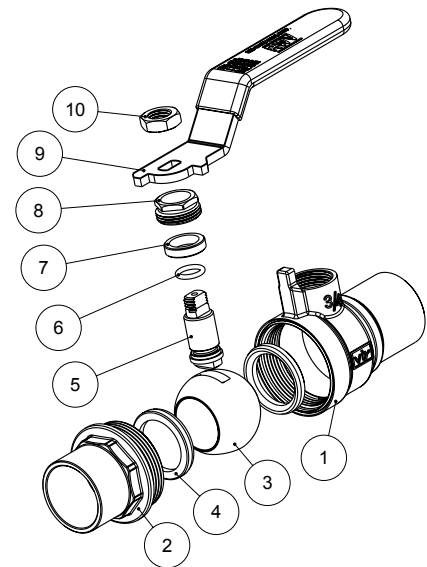
Connection Working Pressure			
Solder used in joints	Working Temp deg. °F	Maximum working pressure (PSI)	
		3/8" - 1"	1-1/4" - 2"
95-5 Tin	100	500	400
Antimony	150	400	350
(ASTM B32 grade 95TA)	200	300	250
	250	200	175

## Materials & Specifications

Item	Description	Material	Specification
1	Body	Brass	B283 C37700
2	End piece	Brass	B283 C37700
3	Ball	Brass/Cr Plated	B283 C37700
4	Seat	PTFE	PTFE
5	Stem	Brass	B124 C37700
6	O-ring	FKM	FKM
7	Packing	PTFE	PTFE
8	Packing nut	Brass	B124 C37700
9	Handle	Steel/Dc Plated	A36
10	Handle nut	Steel/Zn Plated	A36

## Dimensions, Weights (inches-lbs.) & Valve Data

Size	1/2	3/4	1	1-1/4	1-1/2	2
∅	0.627-0.631	0.877-0.881	1.128-1.131	1.378-1.381	1.628-1.632	2.128-2.132
A	2.20	2.87	3.43	3.82	4.25	5.31
C	0.51	0.75	0.91	0.98	1.09	1.34
H	1.93	2.07	2.36	2.60	2.87	3.25
L	3.58	3.58	4.96	4.96	5.55	5.55
P	0.50	0.73	0.95	1.22	1.46	1.95
Cv	11	26	55	103	111	353
Wt	0.36	0.55	0.89	1.13	1.64	2.68



**RED-WHITE VALVE CORP.**

20600 Regency Lane, Lake Forest, CA 92630

TEL: 949.859.1010 • FAX: 949.859.7200 • www.redwhitevalvecorp.com

(160407)