

### Feature

- DZR brass ball valve - wye strainer combination
- Blow-out proof stem
- Adjustable packing nut
- Full port
- Y pattern strainer
- Stainless steel strainer (20 mesh)
- Blow down valve with 3/4" hose end
- 1 installed test point
- 1 additional tapped 1/4" port

### Available in:

- Fig. 92ST - FNPT end (ASME B1.20.1 - NPT) with union end  
FNPT tailpiece standard, MNPT, Solder and Press tailpiece options available
- Fig. 92SS - Solder end (ASME B16.22) with union end  
Solder tailpiece standard, FNPT, MNPT, and Press tailpiece options available
- Fig. 92SP - Press end with union end  
Press tailpiece standard, FNPT, MNPT, and Solder tailpiece options available

400WOG @ 160°F

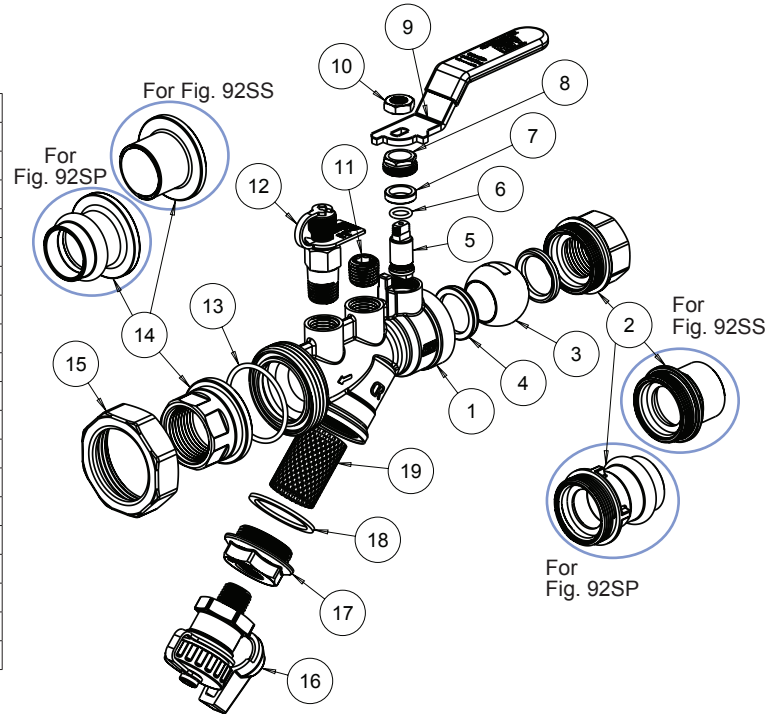
### Working conditions:

- Water: from 15°F to 260°F
- below 32°F only for water with added antifreezing fluids
- over 212°F only for water with added anti-boiling fluids



### Material

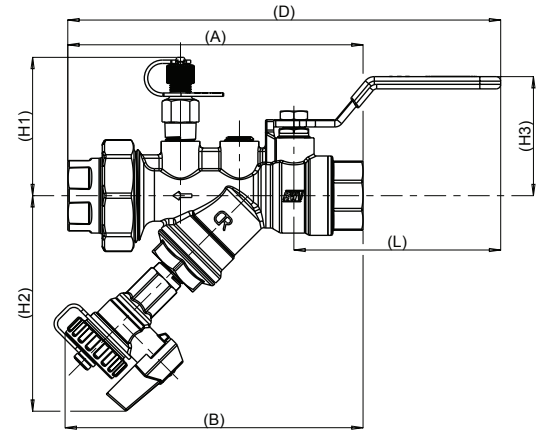
	Part	Material	Specification
1	Body	DZR Brass	UNS C35330
2	Fixed-end	DZR Brass	UNS C35330
3	Ball	DZR Brass/Cr plated	UNS C35330
4	Seat	PTFE	-
5	Stem	DZR Brass	UNS C35330
6	O-ring	EPDM Perox	NSF approved
7	Packing ring	PTFE	-
8	Packing nut	Brass	ASTM B124 C37700
9	Handle	Steel / Dc plated	ASTM A36
10	Nut	Steel / Zn plated	ASTM A36
11	Plug 1/4"	DZR Brass	UNS C35330
12	Pressure tap	DZR Brass	UNS C35330
13	O-ring	EPDM Perox	-
14	Union	DZR Brass	UNS C35330
15	Union nut	Brass	ASTM B124 C37700
16	Ball valve	DZR Brass	UNS C35330
17	Cap	DZR Brass	UNS C35330
18	Gasket	PTFE	-
19	Strainer	Stainless steel	AISI 304



## Dimension, Cv, Weight

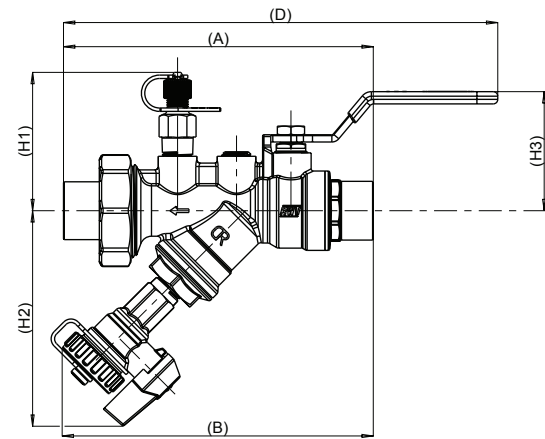
### 92ST

Size	A [in]	B [in]	D [in]	H1 [in]	H2 [in]	H3 [in]	Cv	Weight [lb]
1/2"	4.82	5.17	7.33	2.29	3.74	1.93	4.7	1.58
3/4"	5.13	5.17	7.52	2.40	3.74	2.07	9.5	1.71
1"	6.11	6.13	9.62	2.56	4.11	2.36	13.9	2.69
1 1/4"	7.33	6.60	10.64	2.68	4.06	2.60	22.2	3.73
1 1/2"	9.11	6.98	12.89	2.80	4.39	2.87	36.2	6.03
2"	10.01	7.85	13.52	2.99	4.63	3.25	63.3	7.37



### 92SS

Size	A [in]	B [in]	D [in]	H1 [in]	H2 [in]	H3 [in]	Cv	Weight [lb]
1/2"	4.66	5.20	7.15	2.29	3.74	1.93	4.7	1.35
3/4"	5.38	5.40	6.66	2.40	3.74	2.07	9.5	1.63
1"	6.60	6.39	9.85	2.56	4.11	2.35	13.9	2.38
1 1/4"	8.02	6.85	11.07	2.68	4.08	2.59	22.2	3.55
1 1/2"	9.02	7.33	12.45	2.80	4.39	2.88	36.2	5.33
2"	10.43	8.46	13.33	2.99	4.63	3.25	63.3	6.76



### 92SP

Size	A [in]	B [in]	D [in]	H1 [in]	H2 [in]	H3 [in]	Cv	Weight [lb]
1/2"	5.67	5.89	7.65	2.29	3.74	1.93	4.7	1.42
3/4"	6.10	6.09	7.76	2.40	3.74	2.07	9.5	1.74
1"	6.95	6.93	9.85	2.56	4.11	2.35	13.9	2.38
1 1/4"	8.43	7.34	11.19	2.68	4.09	2.59	22.2	3.56
1 1/2"	9.92	7.84	12.84	2.80	4.39	2.88	36.2	5.81
2"	12.09	8.98	14.46	2.99	4.61	3.25	63.3	7.59

