



T&S BRASS AND BRONZE WORKS, INC.
 2 Saddleback Cove / P.O. Box 1088
 Travelers Rest, SC 29690

Model No.
012622-40

Item No.

Travelers Rest, SC: 800-476-4103 • Simi Valley, CA: 800-423-0150 • Fax: 864-834-3518 • www.tsbrass.com

This Space for Architect/Engineer Approval

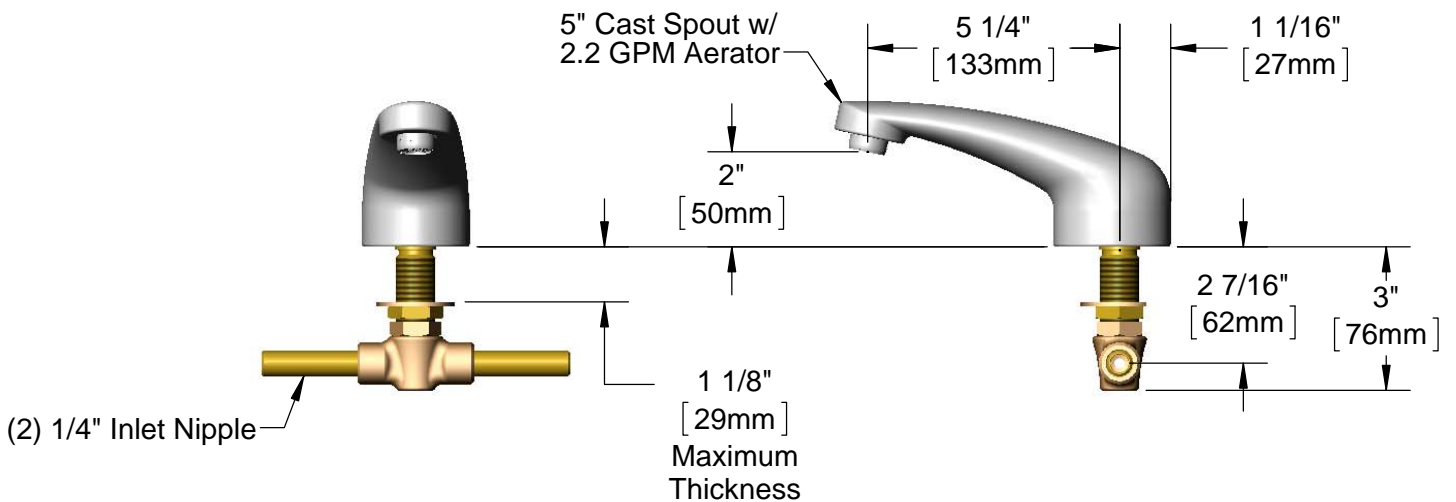
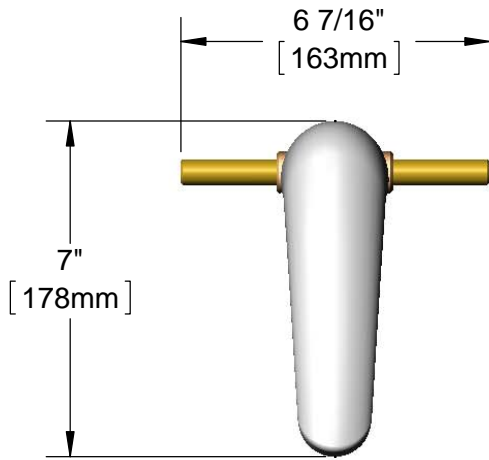
Job Name _____ Date _____

Model Specified _____ Quantity _____

Customer/Wholesaler _____

Contractor _____

Architect/Engineer _____



Product Specifications:
 8" Cross w/ 5" Cast Spout & 2.2 GPM Aerator

Drawn DHL	Checked KJG	Approved JHB
Scale: 1:4		Date: 03/01/13



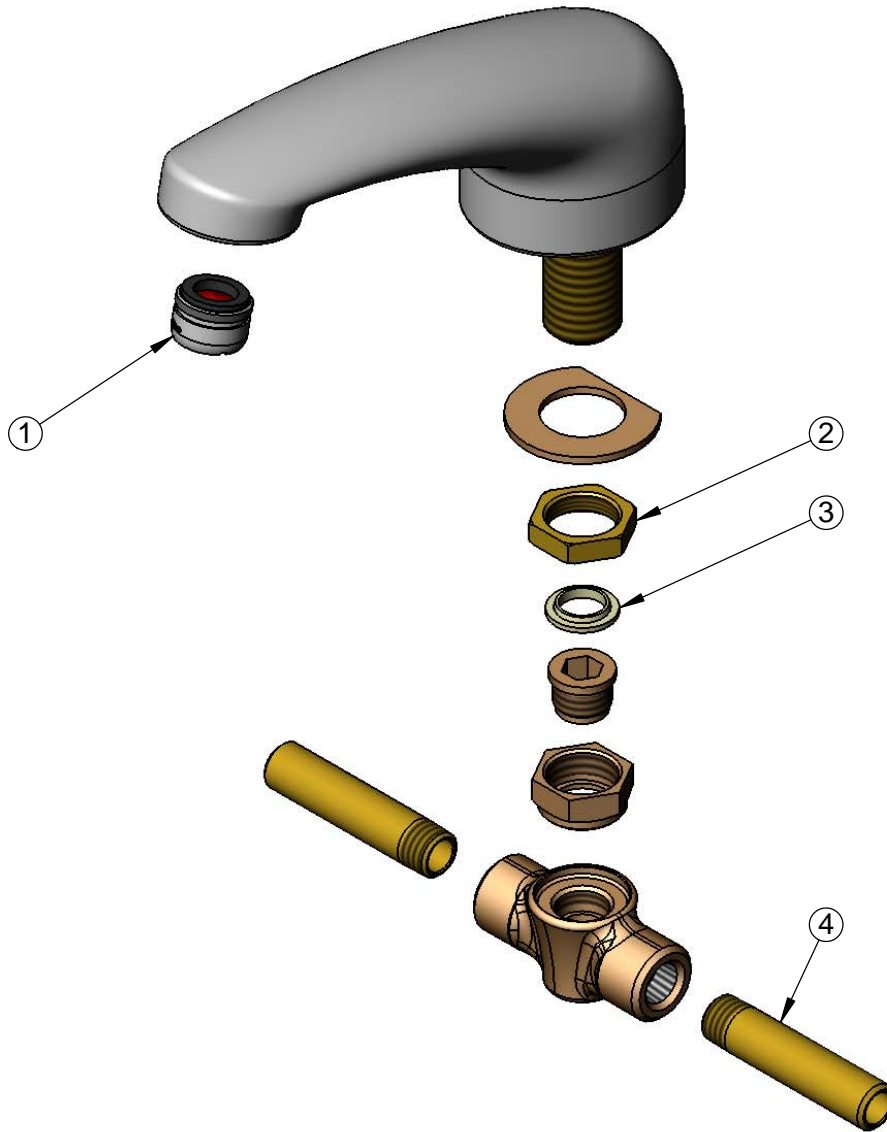
T&S BRASS AND BRONZE WORKS, INC.
 2 Saddleback Cove / P.O. Box 1088
 Travelers Rest, SC 29690

Model No.
012622-40

Item No.

Travelers Rest, SC: 800-476-4103 • Simi Valley, CA: 800-423-0150 • Fax: 864-834-3518 • www.tsbrass.com

ITEM NO.	SALES NO.	DESCRIPTION
1	B-0199-03	2.2 GPM Aerator, 13/16"-27 UN Male Thread
2	002954-45	Shank Lock Nut
3	012702-45	Cross Body Washer
4	000342-20	B-0850 Nipple



Product Specifications:
 8" Cross w/ 5" Cast Spout & 2.2 GPM Aerator

Drawn DHL	Checked KJG	Approved JHB
---------------------	-----------------------	------------------------

Scale: NTS	Date: 03/01/13
----------------------	--------------------------