



**T&S BRASS AND BRONZE WORKS, INC.**  
 2 Saddleback Cove / P.O. Box 1088  
 Travelers Rest, SC 29690

Model No.  
**151X**

Item No.

Travelers Rest, SC: 800-476-4103 • Simi Valley, CA: 800-423-0150 • Fax: 864-834-3518 • www.tsbrass.com

This Space for Architect/Engineer Approval

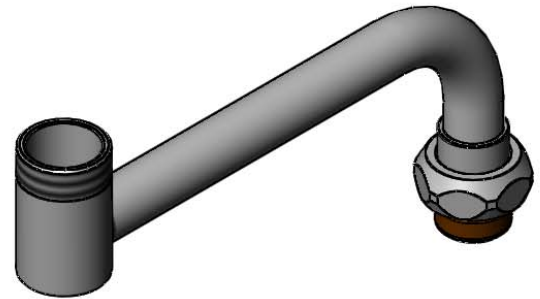
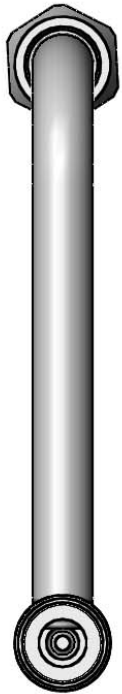
Job Name \_\_\_\_\_ Date \_\_\_\_\_

Model Specified \_\_\_\_\_ Quantity \_\_\_\_\_

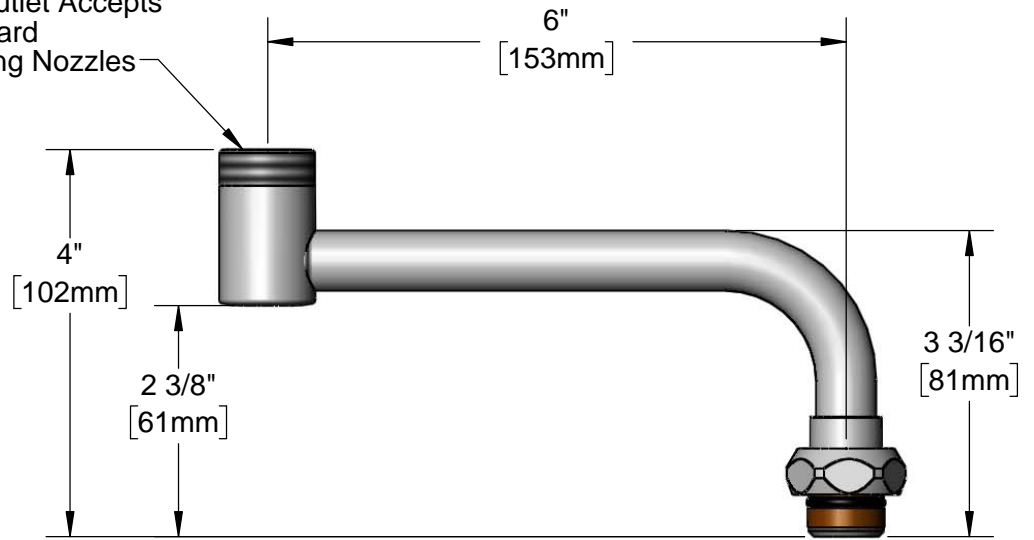
Customer/Wholesaler \_\_\_\_\_

Contractor \_\_\_\_\_

Architect/Engineer \_\_\_\_\_



Swivel Outlet Accepts  
 All Standard  
 T&S Swing Nozzles



Swivel Piece Fits  
 All Standard T&S  
 Swivel Outlets

Product Specifications:  
 6" Back Section for Double Joint Nozzles (New Style)

Product Compliance:  
 ASME A112.18.1 / CSA B125.1  
 NSF 61 - Section 9  
 NSF 372 (Low Lead Content)



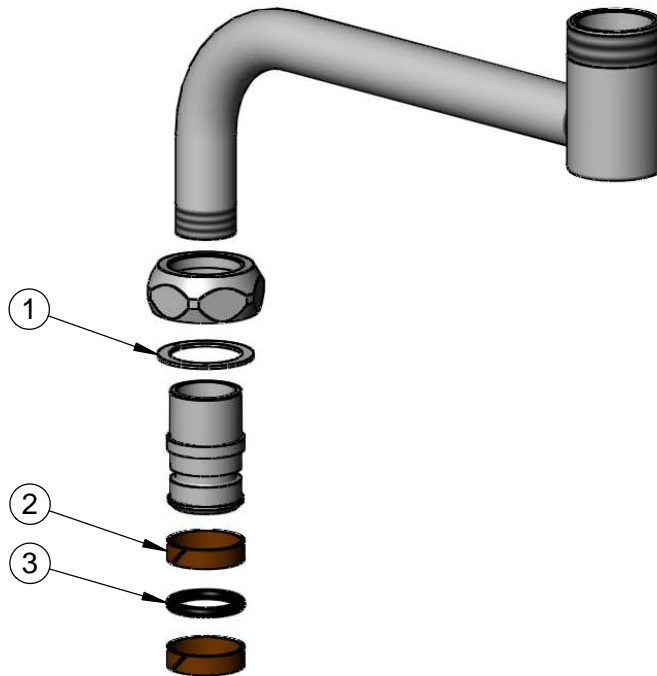
**T&S BRASS AND BRONZE WORKS, INC.**  
2 Saddleback Cove / P.O. Box 1088  
Travelers Rest, SC 29690

Model No.  
**151X**

Item No.

Travelers Rest, SC: 800-476-4103 • Simi Valley, CA: 800-423-0150 • Fax: 864-834-3518 • www.tsbrass.com

| ITEM NO. | SALES NO. | DESCRIPTION        |
|----------|-----------|--------------------|
| 1        | 009538-45 | Swivel Washer      |
| 2        | 011429-45 | Swivel Sleeves (2) |
| 3        | 001074-45 | O-Ring             |



Product Specifications:  
6" Back Section for Double Joint Nozzles (New Style)

Product Compliance:  
ASME A112.18.1 / CSA B125.1  
NSF 61 - Section 9  
NSF 372 (Low Lead Content)