



T&S BRASS AND BRONZE WORKS, INC.
 2 Saddleback Cove / P.O. Box 1088
 Travelers Rest, SC 29690

Model No.
PG-0002

Item No.

Travelers Rest, SC: 800-476-4103 • Simi Valley, CA: 800-423-0150 • Fax: 864-834-3518 • www.tsbrass.com

This Space for Architect/Engineer Approval

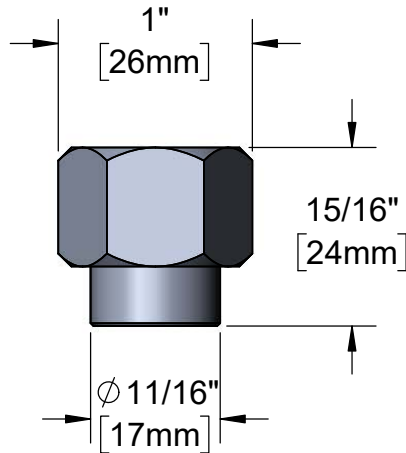
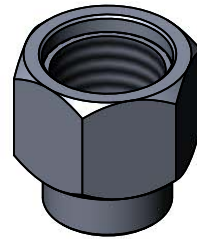
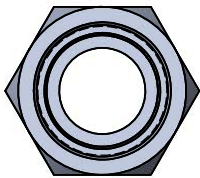
Job Name _____ Date _____

Model Specified _____ Quantity _____

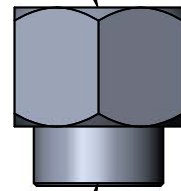
Customer/Wholesaler _____

Contractor _____

Architect/Engineer _____



3/8 NPT Female Outlet



1/4" NPT Female Inlet

Product Specifications:
 Pet Grooming Adapter Kit: Connects to 3/8" NPT Male Outlets

Product Compliance:
 NSF 61 Exempt (Non-Potable)