

# FOREMOST

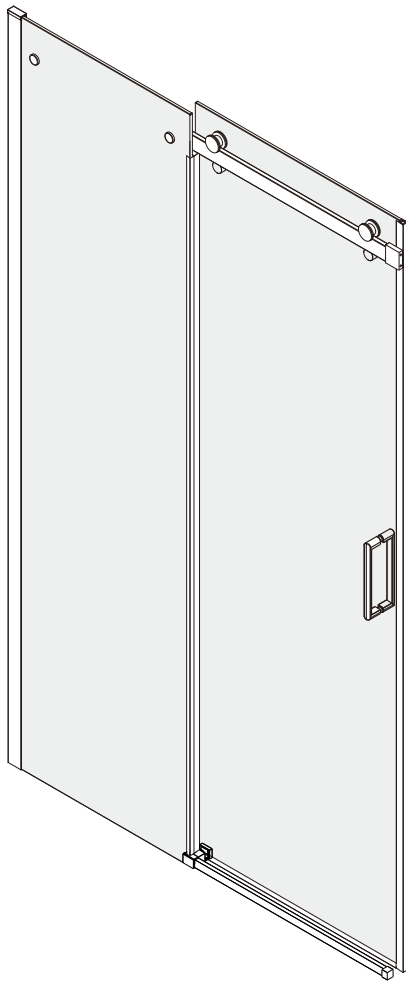
Customer Service 1-888-620-3667

## Lagoon Roller Door

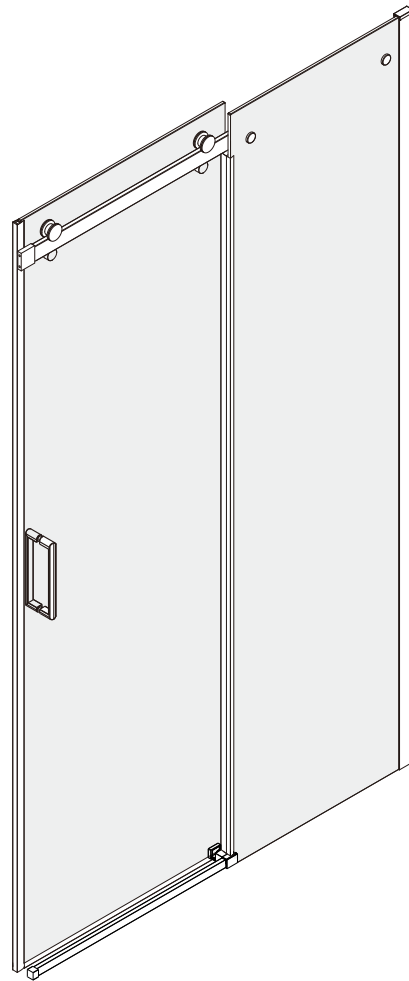
COPY THE MODEL NUMBER FOR YOU RECORDS HERE #

Please visit us on You Tube and view our shower door installation videos. One may be available for your installation.  
[www.youtube.com/foremostgroups](http://www.youtube.com/foremostgroups).

READ THE INSTRUCTIONS CAREFULLY, familiarize yourself with all the parts as shown in the exploded view. the exploded view will also provide a helpful reference when relating to the location of the various parts and how they are mounted.



**Left hand install**

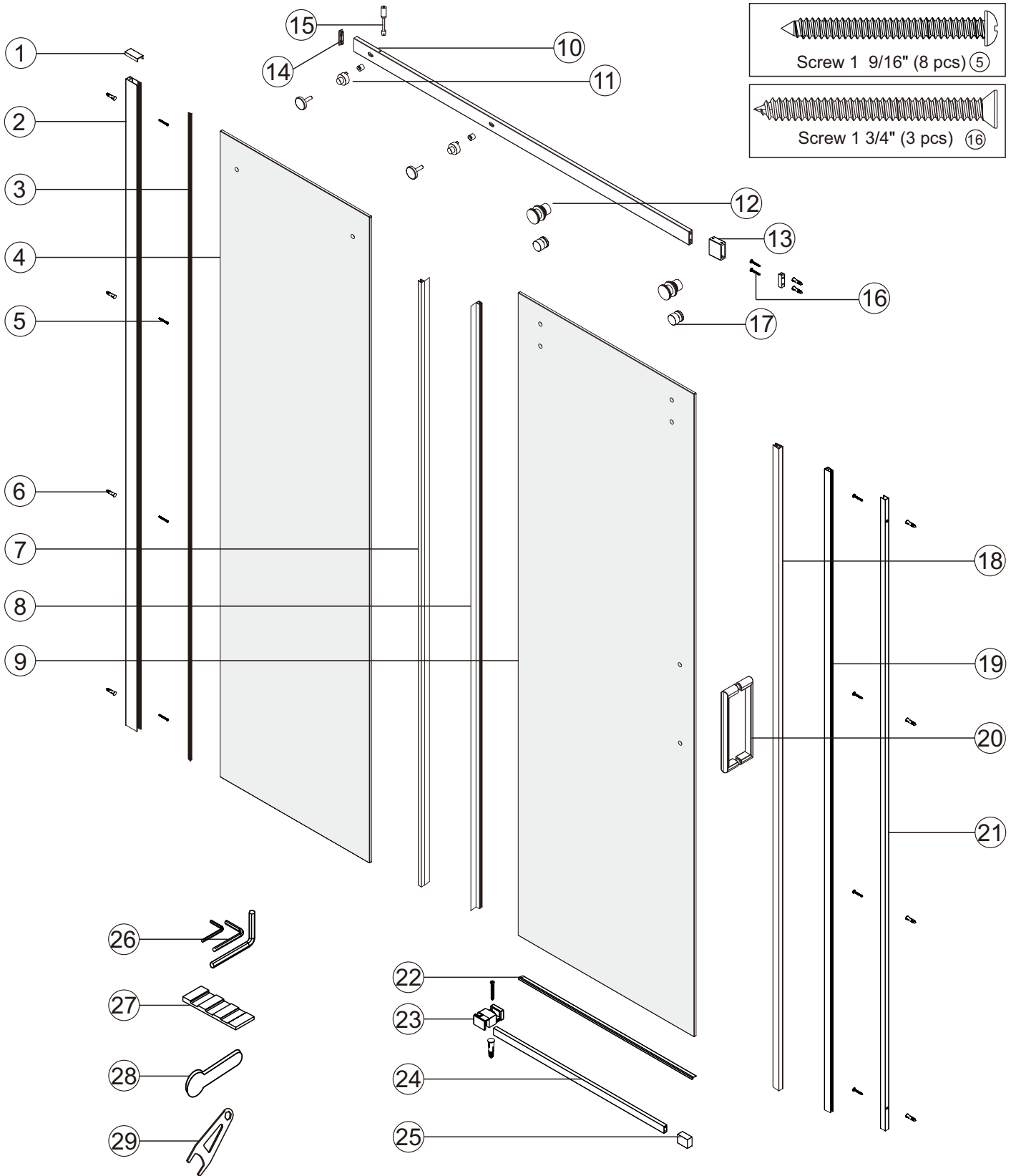


**Right hand install**

# Lagoon Roller Door

# FOREMOST

Customer Service 1-888-620-3667

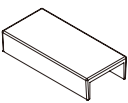
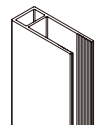
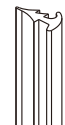
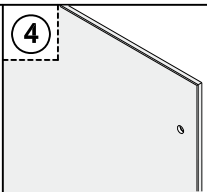

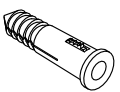
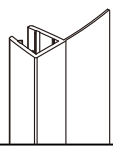

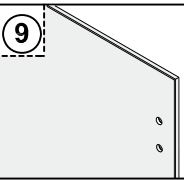
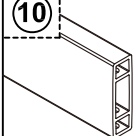

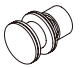
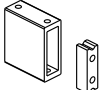
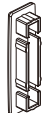

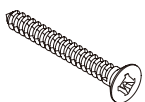

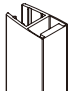
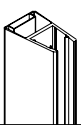
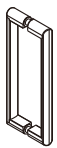
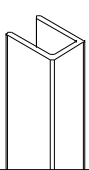
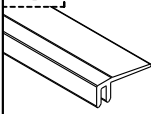
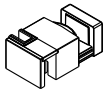
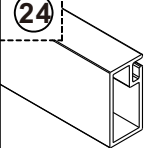
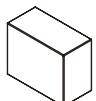


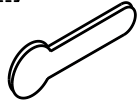



# Lagoon Roller Door

# FOREMOST

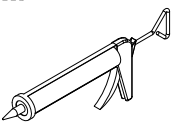
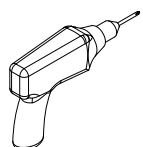
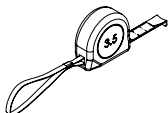
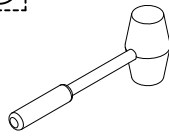
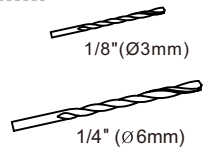

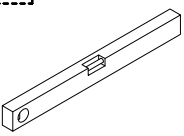
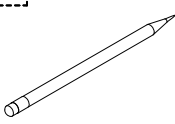
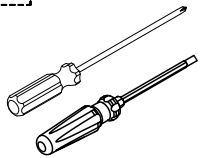
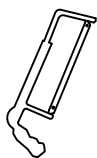


Customer Service 1-888-620-3667

## PART LIST

					
Aluminum cap(1 pcs)	Wall Jamb(1 pcs)	squeeze gasket(1 pcs)	Fixed panel(1 pcs)	Screw 1 9/16" (8 pcs)	Wall anchor(11 pcs)
 1741mm 1385mm 68 1/2" 54 1/2"	 1755mm 1399mm 69" 55"				
Water-retaining seal(1 pcs)	Water-retaining seal(1 pcs)	Moving door(1 pcs)	Top rail(1 pcs)	Track Screws(2 pcs)	Top Rollers(2 pcs)
					 1870mm 1514mm 73 1/2" 59 1/2"
Rail wall bracket kits(1 pcs)	Cap for bar (1 pcs)	Roller bumper(1 pcs)	Screw 1 3/4" (3 pcs)	Anti-jumper (2 pcs)	180°magnet seal (1 pcs)
 1880mm 1524mm 74" 60"					
180°magnet seal (1 pcs)	Handle(1 pcs)	Magnetic aluminum(1 pcs)	Threshold gasket(1 pcs)	Door guide(1 pcs)	Threshold(1 pcs)
					
Threshold cover(1 pcs)	Allen key(1 pcs)	Shim(2 pcs)	Installation tool(1 pcs)	Spanner(2 pcs)	

**WARNING: Safety glasses should always be worn when working with tempered glass**

## Recommended Tools

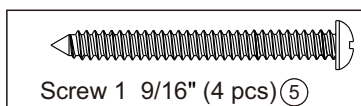
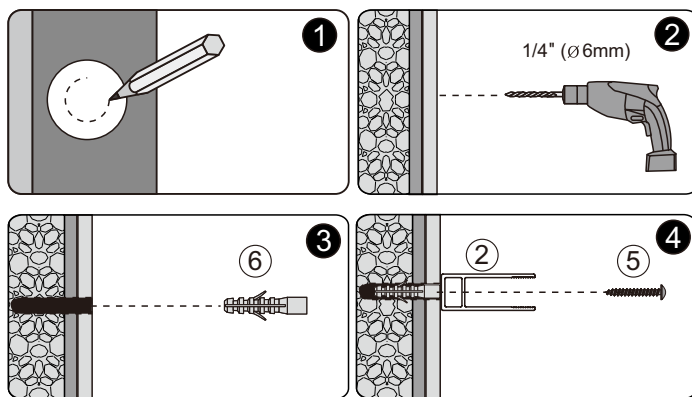
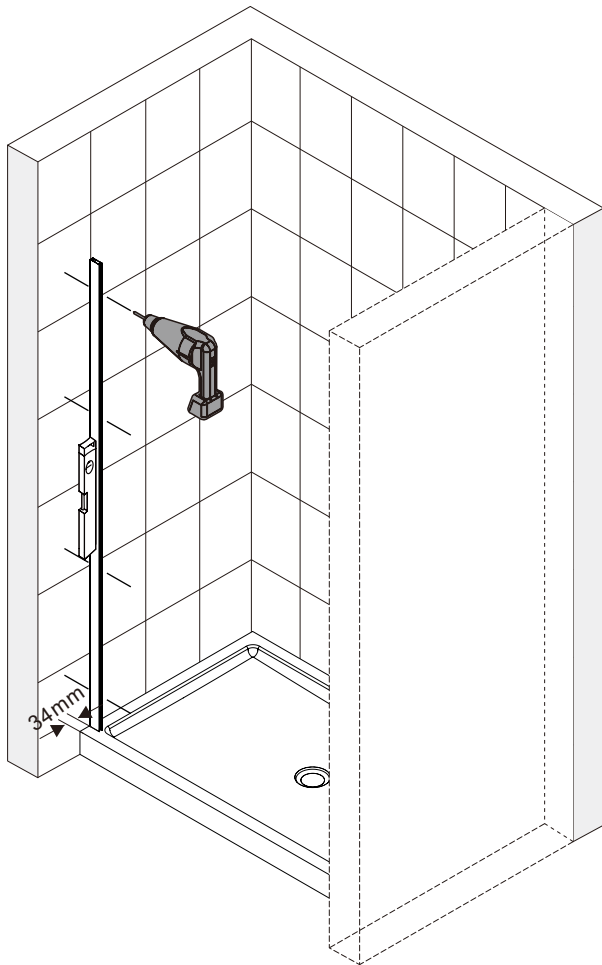
				 1/8" (Ø3mm) 1/4" (Ø6mm)	
SILICONE	DRILL	MEASURE TAPE	RUBBER MALLET	DRILL BITS	KNIFE
					
LEVEL	PENCIL	SCREW DRIVERS	HANDSAW	SAFETY GLASSES	CUTTING NIPPERS

Choose whether you will need to assemble your shower door  
Follow the appropriate diagram below.

## Left hand Assembly

### STEP 1

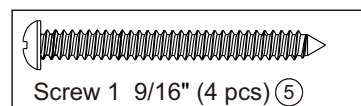
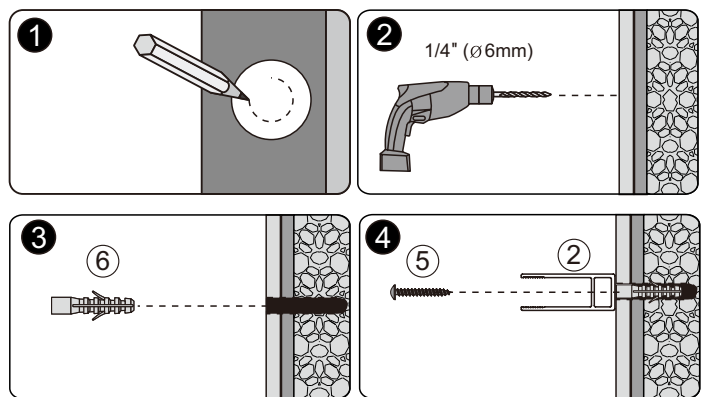
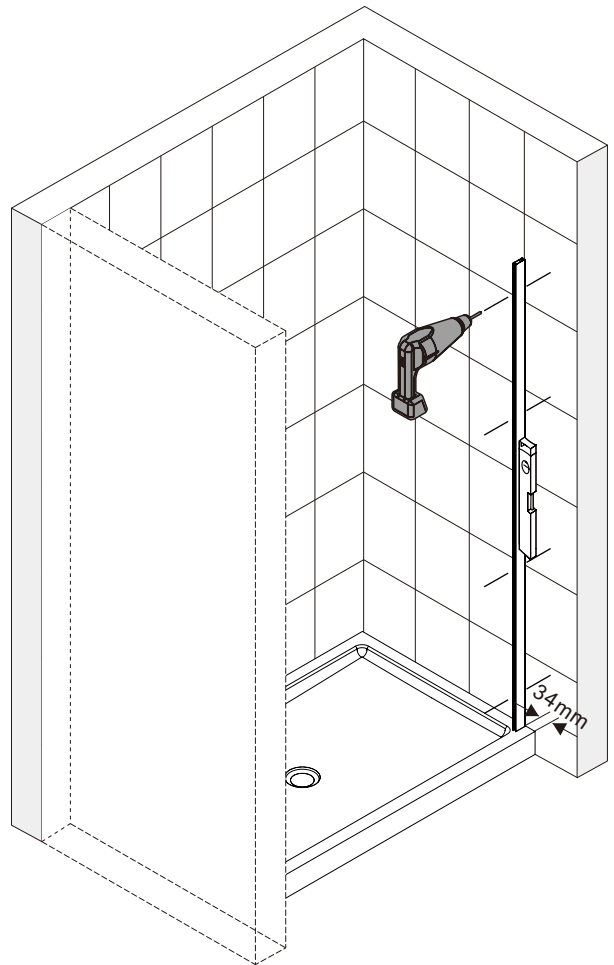
1. Put & level wall jamb(2) at the installation position, then mark the drilling hole.
2. Drill hole with 1/4" drill bits.
3. Put wall anchor(6) into the hole.
4. Fix wall jamb(2) with screw 1 9/16"(5) against the wall.



## Right hand Assembly

### STEP 1

1. Put & level wall jamb(2) at the installation position, then mark the drilling hole.
2. Drill hole with 1/4" drill bits.
3. Put wall anchor(6) into the hole.
4. Fix wall jamb(2) with screw 1 9/16"(5) against the wall.



# Lagoon Roller Door

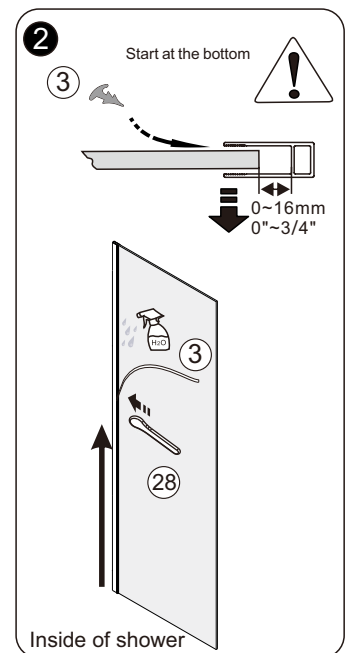
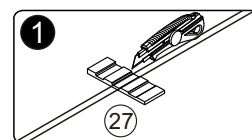
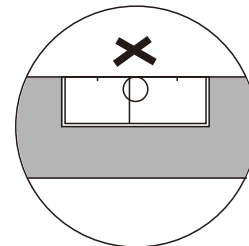
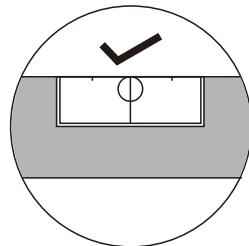
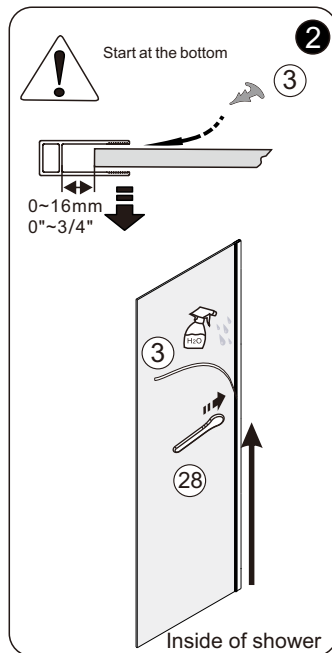
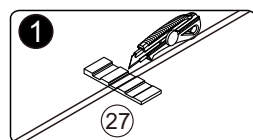
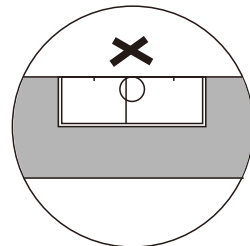
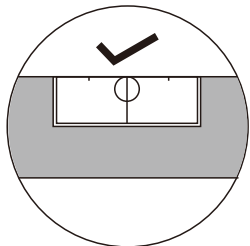
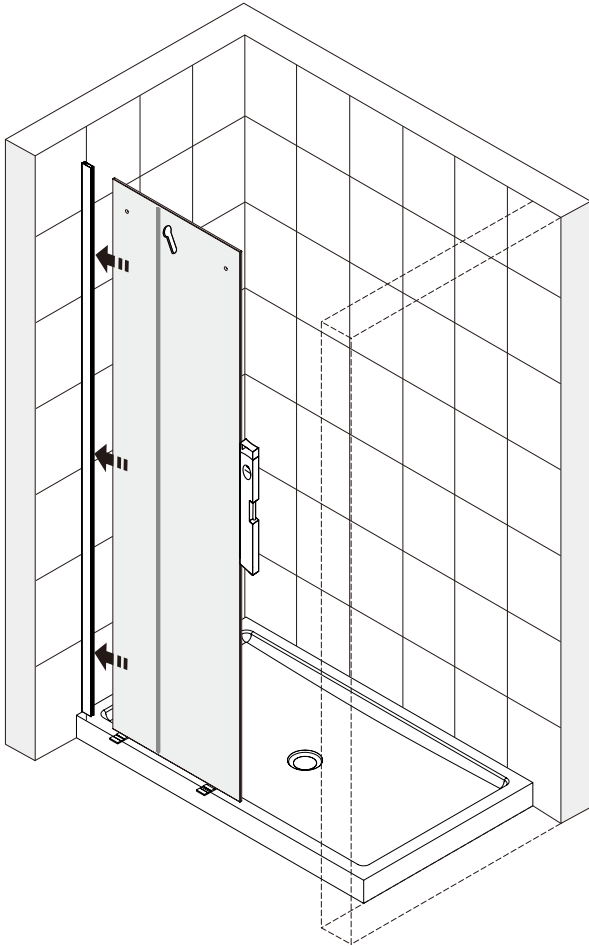
# FOREMOST

Customer Service 1-888-620-3667

## Left hand Assembly

### STEP 2

1. Insert fixed panel(4) into wall jamb(2) slot, then level it( use Shim(27) to adjust if fixed panel(4) unlevelled).
2. Insert squeeze gasket(3) to inside of the shower to press the fixed panel(4) against wall jamb(2) by using installation tool (28).



# Lagoon Roller Door

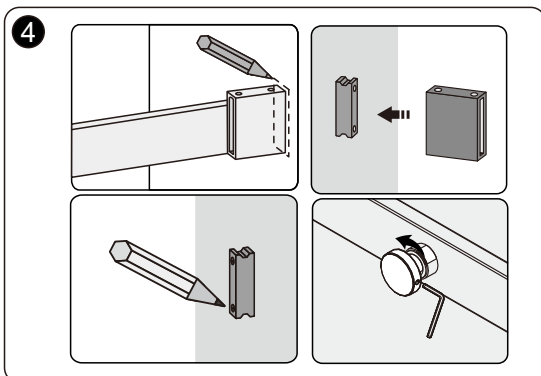
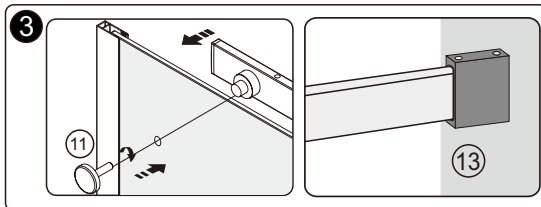
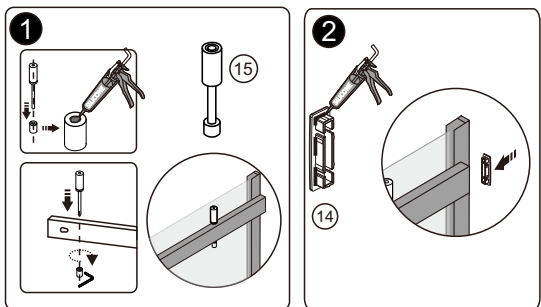
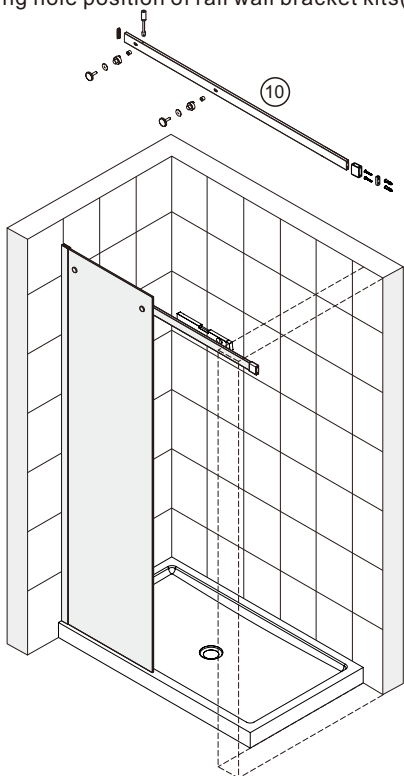
# FOREMOST

Customer Service 1-888-620-3667

## Left hand Assembly

### STEP 3

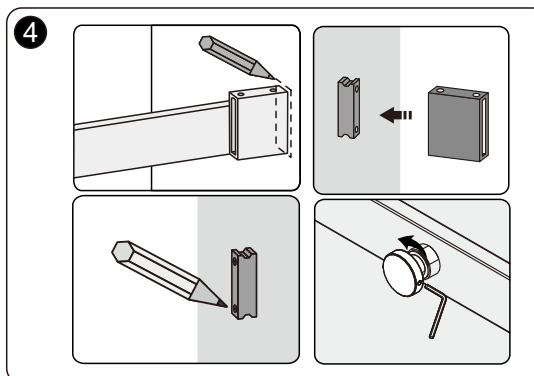
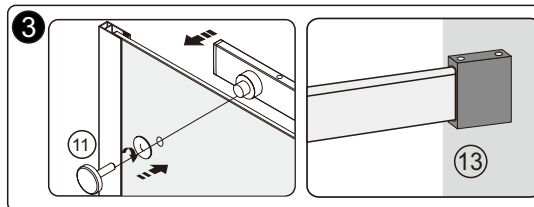
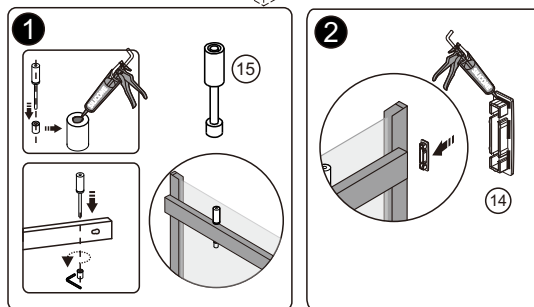
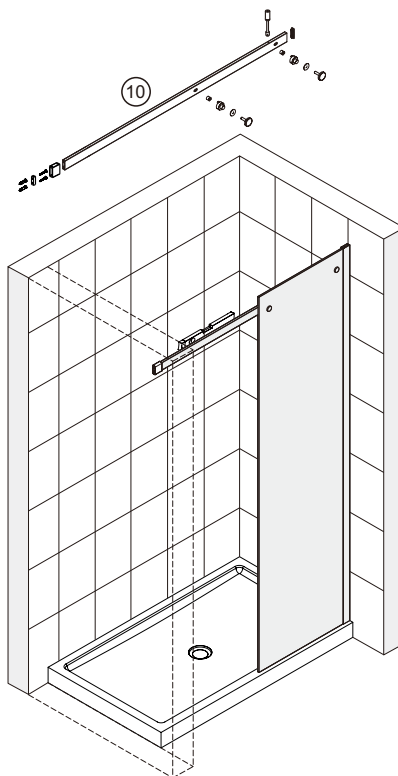
1. Install roller bumper(15) on top rail(10).
2. Cover cap for bar(14) at the end of top rail(10).
3. Fix top rail(10) on fixed panel(4) with track screw(11), and level top rail(10).
4. Draw drilling hole position of rail wall bracket kits(13).



## Right hand Assembly

### STEP 3

1. Install roller bumper(15) on top rail(10).
2. Cover cap for bar(14) at the end of top rail(10).
3. Fix top rail(10) on fixed panel(4) with track screw(11), and level top rail(10).
4. Draw drilling hole position of rail wall bracket kits(13).



# Lagoon Roller Door

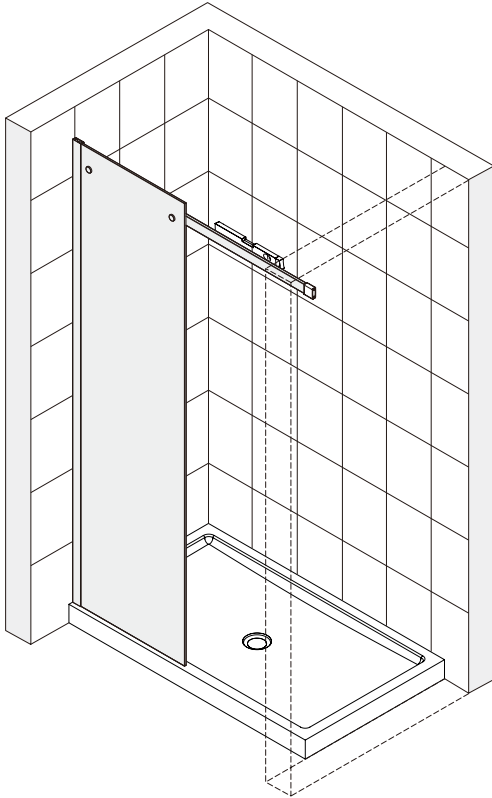
# FOREMOST

Customer Service 1-888-620-3667

## Left hand Assembly

### STEP 4

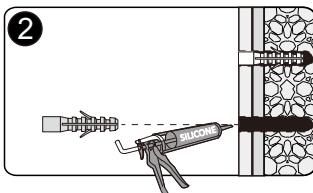
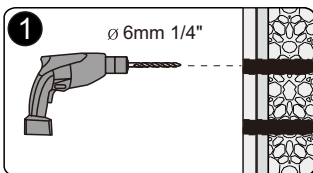
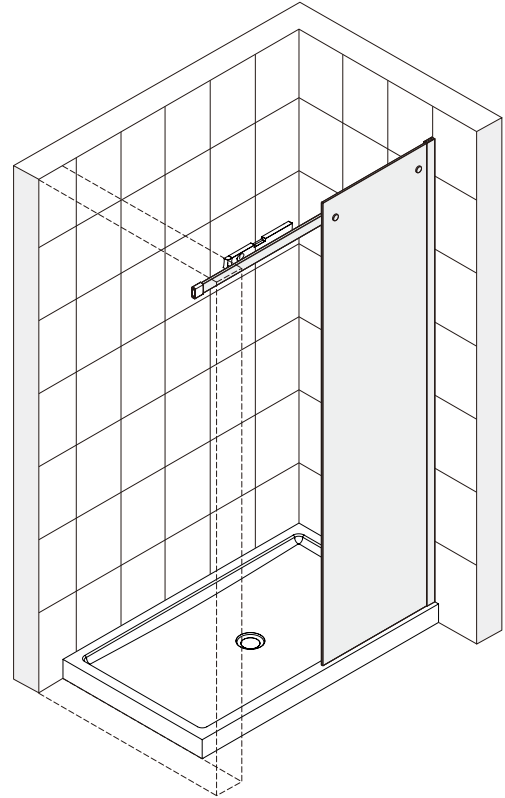
1. Drill hole with 1/4" drill bits on wall.
2. Put wall anchor(6) into the hole.
3. Fix rail wall bracket kits(13) with screw 1 3/4" , then tighten the set screw.



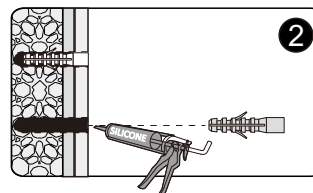
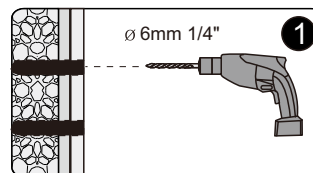
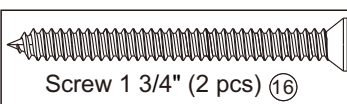
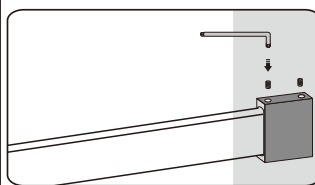
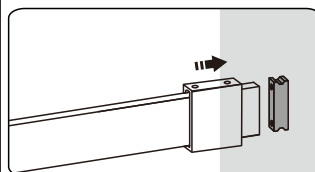
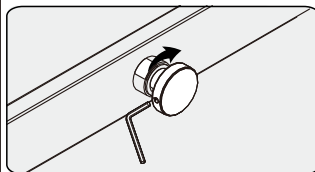
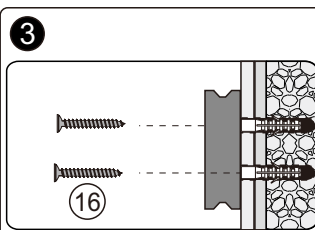
## Right hand Assembly

### STEP 4

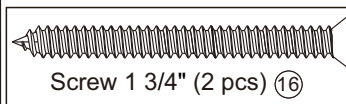
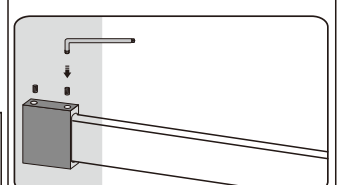
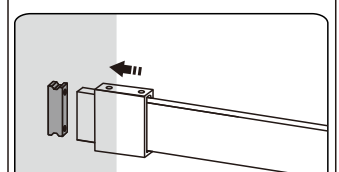
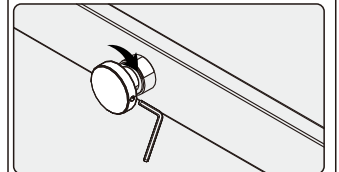
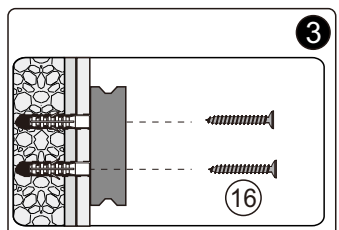
1. Drill hole with 1/4" drill bits on wall.
2. Put wall anchor(6) into the hole.
3. Fix rail wall bracket kits(13) with screw 1 3/4" , then tighten the set screw.



Please do not force when putting the rail into the bracket



Please do not force when putting the rail into the bracket



# Lagoon Roller Door

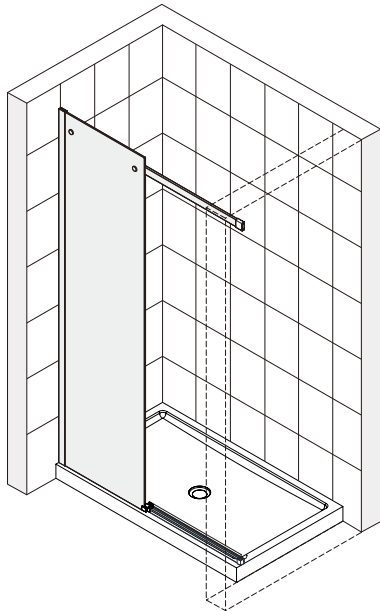
# FOREMOST

Customer Service 1-888-620-3667

## Left hand Assembly

### STEP 6

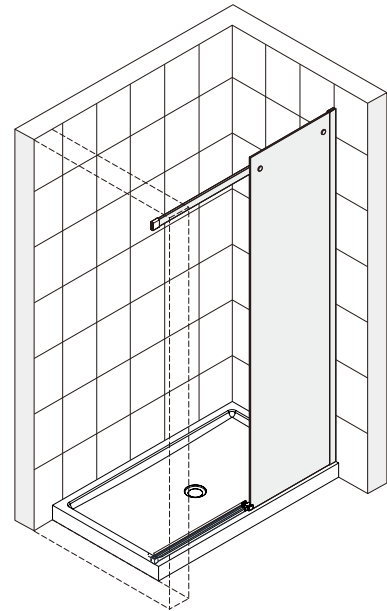
1. Mark hole on the tray/floor for bottom guide.
2. Use 1/8" drill bit drill through.
3. Fix bottom guide to the tray/floor.
4. Insert gasket (22) into the threshold (24)



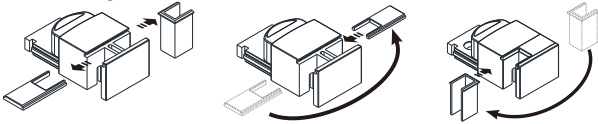
## Right hand Assembly

### STEP 6

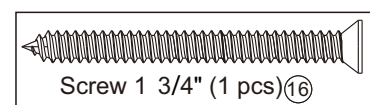
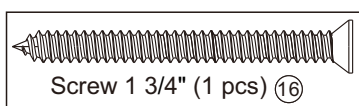
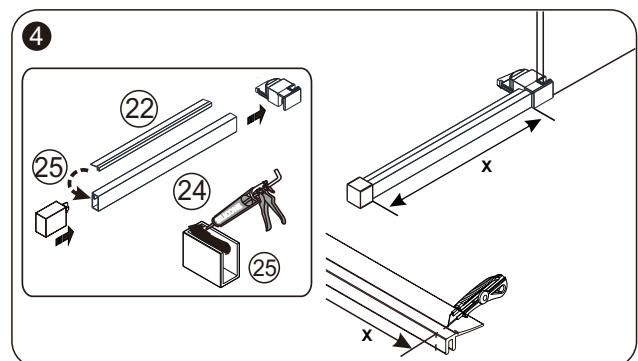
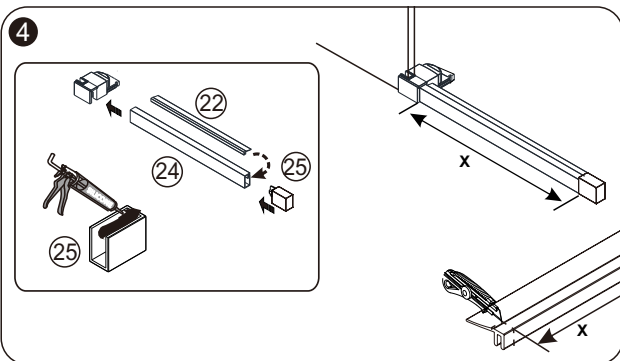
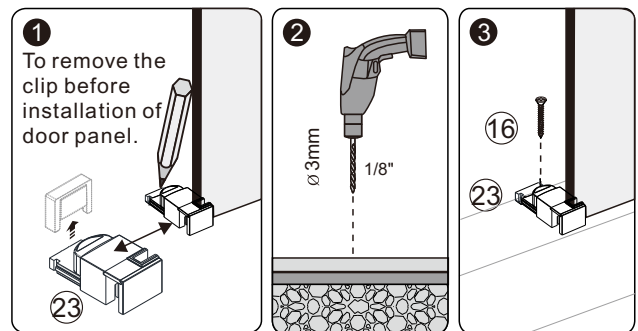
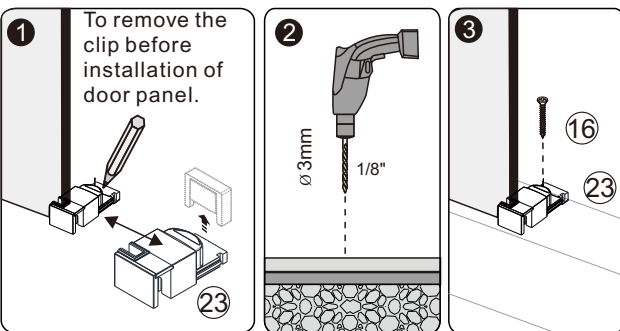
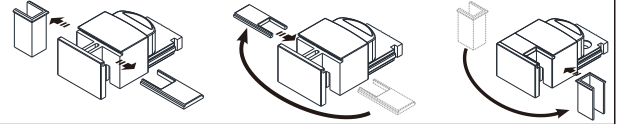
1. Mark hole on the tray/floor for bottom guide.
2. Use 1/8" drill bit drill through.
3. Fix bottom guide to the tray/floor.
4. Insert gasket (22) into the threshold (24)



Before door guide installation, please make sure it's at the right direction.



Before door guide installation, please make sure it's at the right direction.





# Lagoon Roller Door

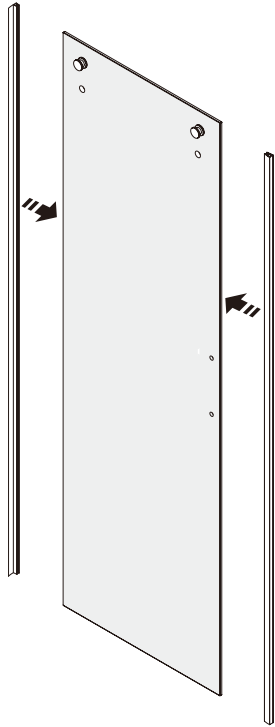
# FOREMOST

Customer Service 1-888-620-3667

## Left hand Assembly

### STEP 7

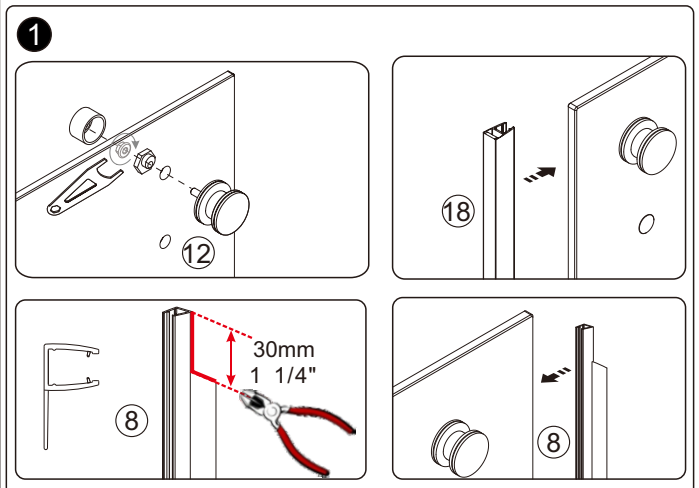
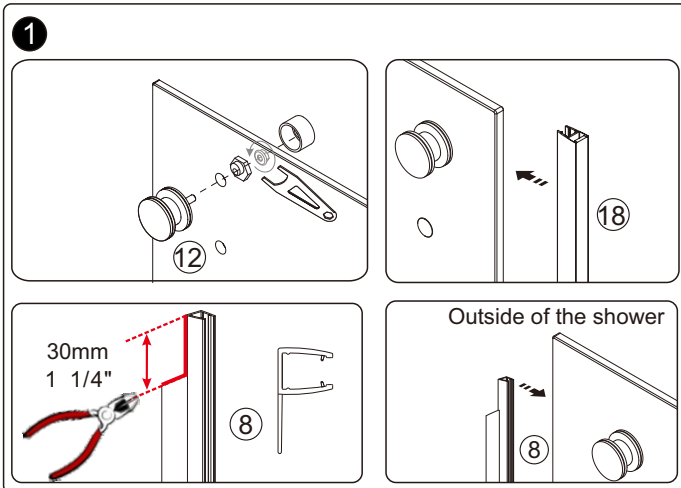
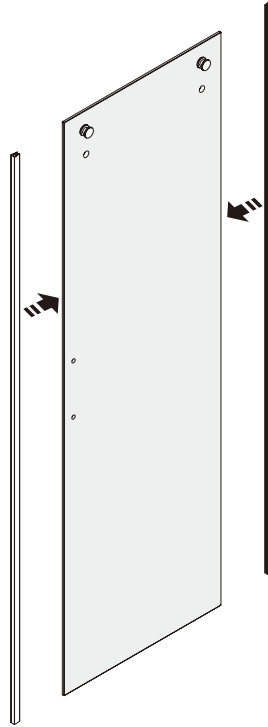
1. Install top rollers(12), 180° magnetic seal short(18) and water-retaining seal(8) on moving door(9).



## Right hand Assembly

### STEP 7

1. Install top rollers(12), 180° magnetic seal short(18) and water-retaining seal(8) on moving door(9).



# Lagoon Roller Door

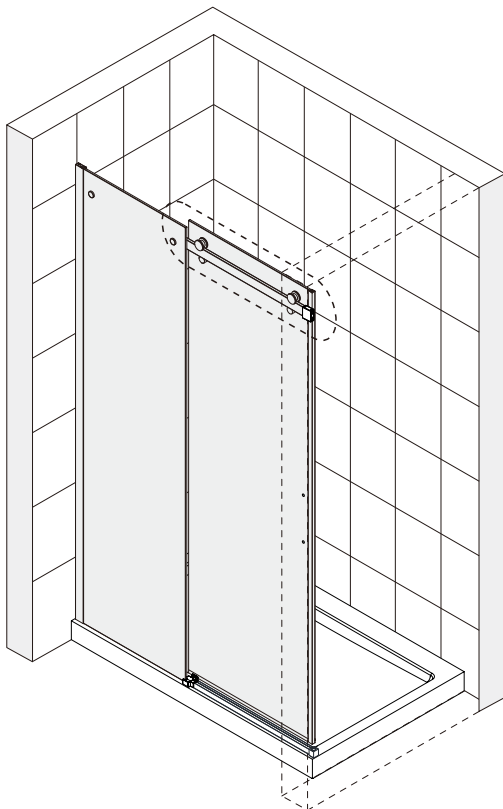
# FOREMOST

Customer Service 1-888-620-3667

## Left hand Assembly

### STEP 8

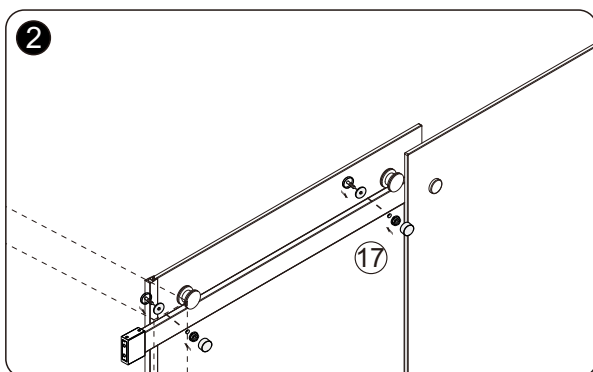
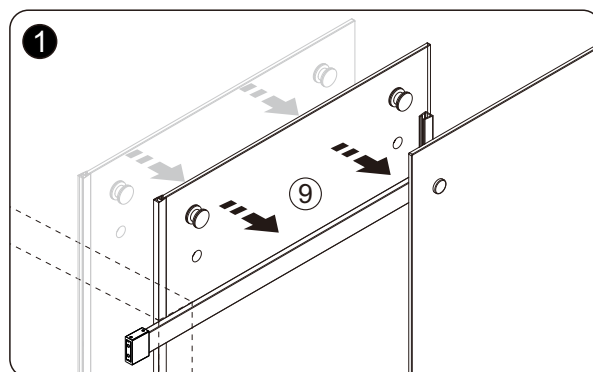
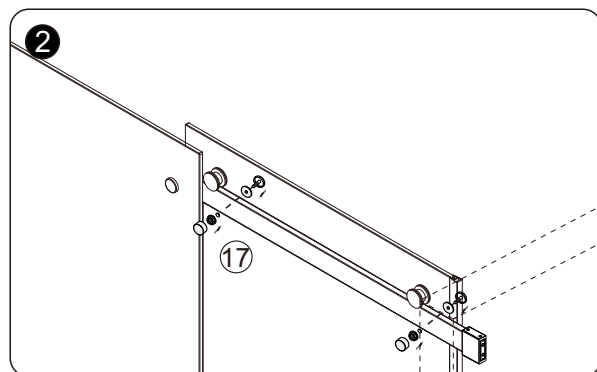
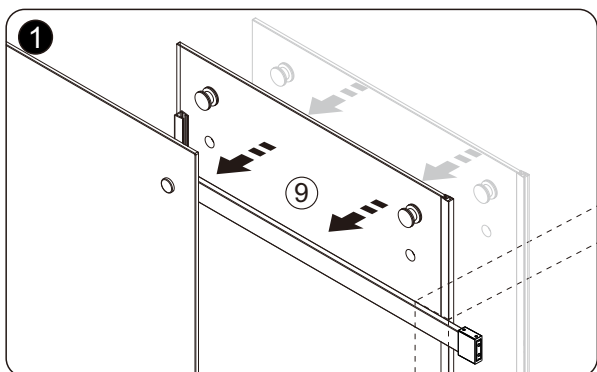
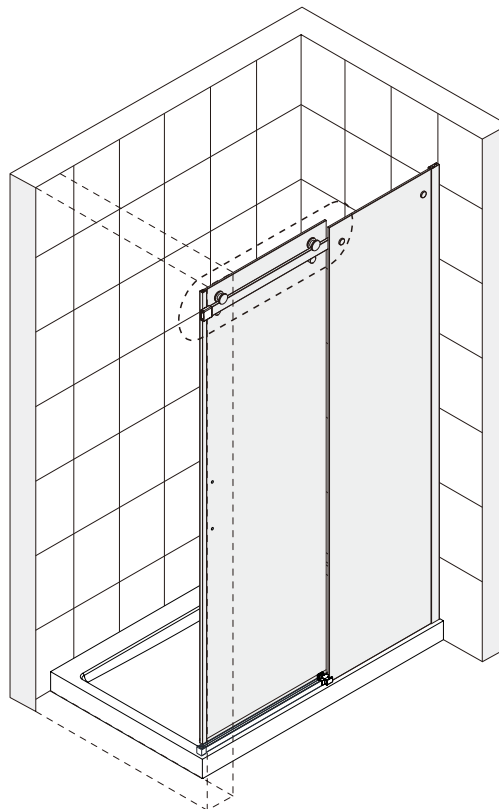
1. Hang moving door(9) on top rail(10).
2. Tighten anti-jump (17) onto the moving panel (9)



## Right hand Assembly

### STEP 6

1. Hang moving door(9) on top rail(10).
2. Tighten anti-jump (17) onto the moving panel (9)



# Lagoon Roller Door

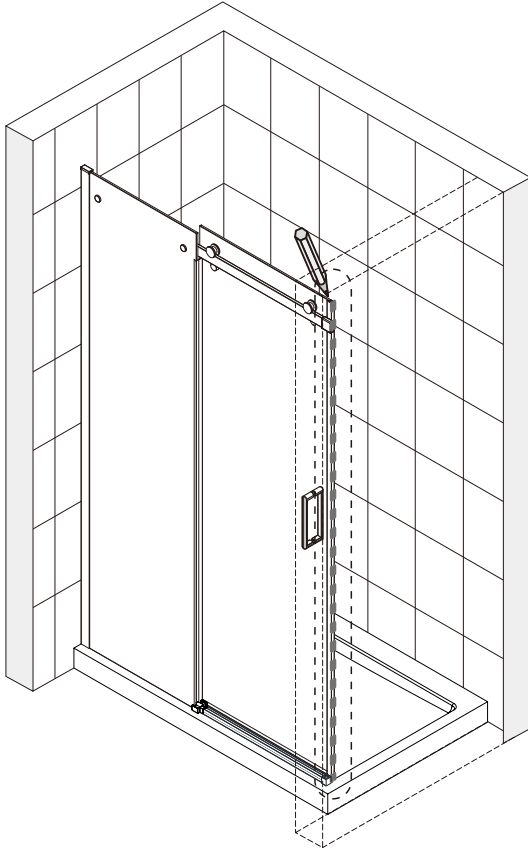
# FOREMOST

Customer Service 1-888-620-3667

## Left hand Assembly

### STEP 9

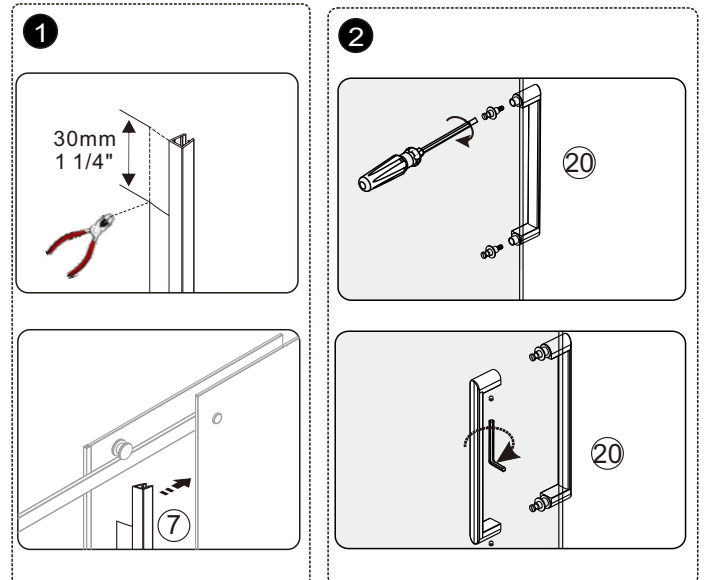
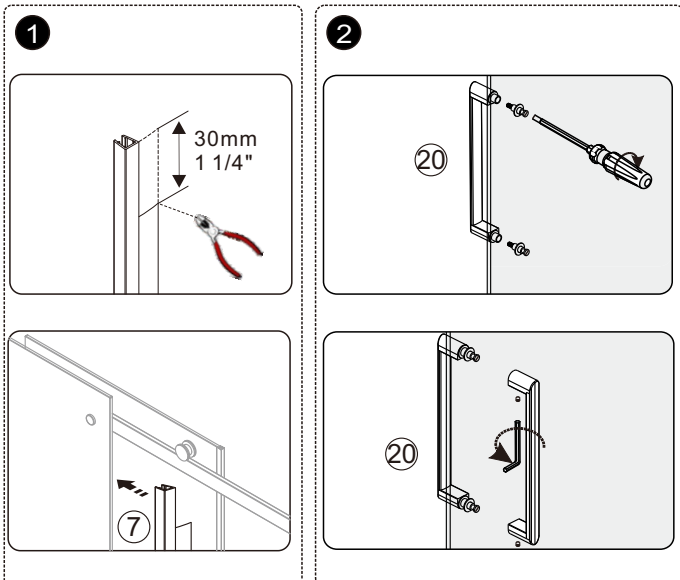
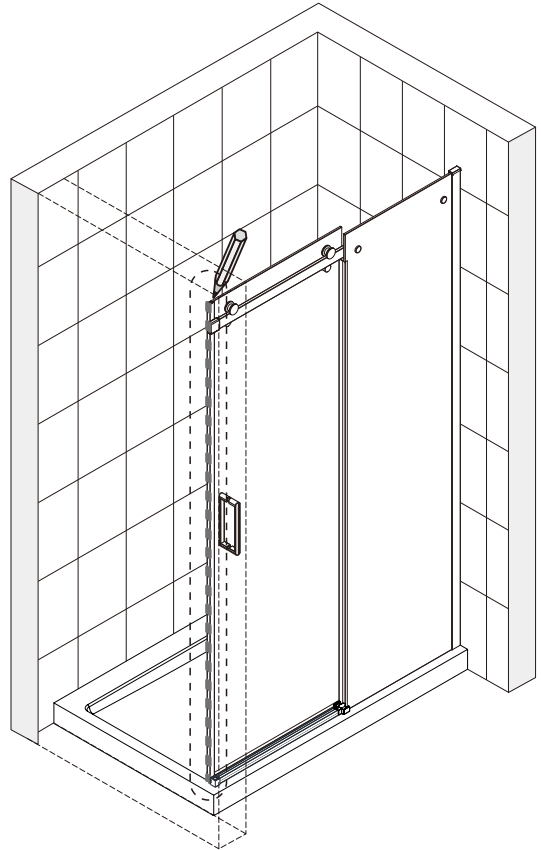
1. Install water-retaining seal(7) at side of fixed panel(4)
2. Install handle (20) onto door panel



## Right hand Assembly

### STEP 9

1. Install water-retaining seal(7) at side of fixed panel(4)
2. Install handle (20) onto door panel



# Lagoon Roller Door

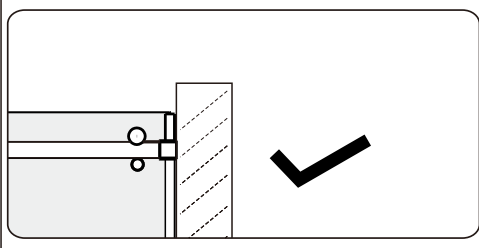
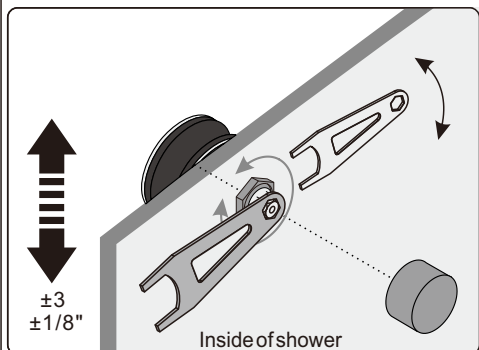
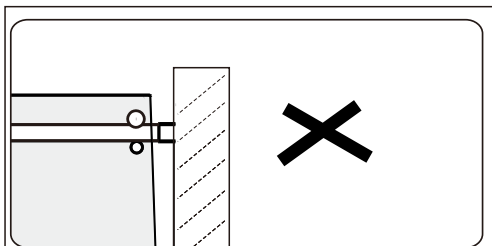
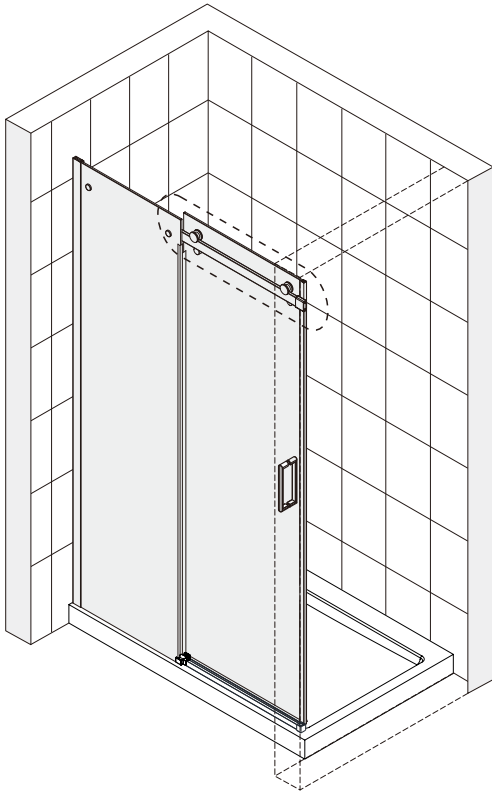
# FOREMOST

Customer Service 1-888-620-3667

## Left hand Assembly

### STEP 10

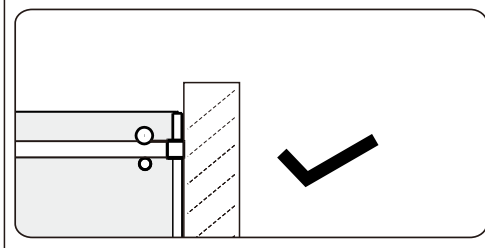
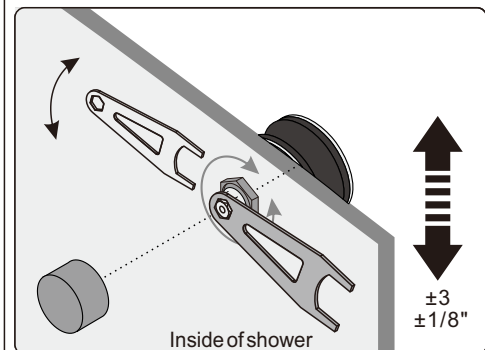
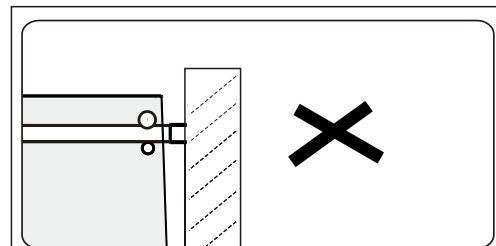
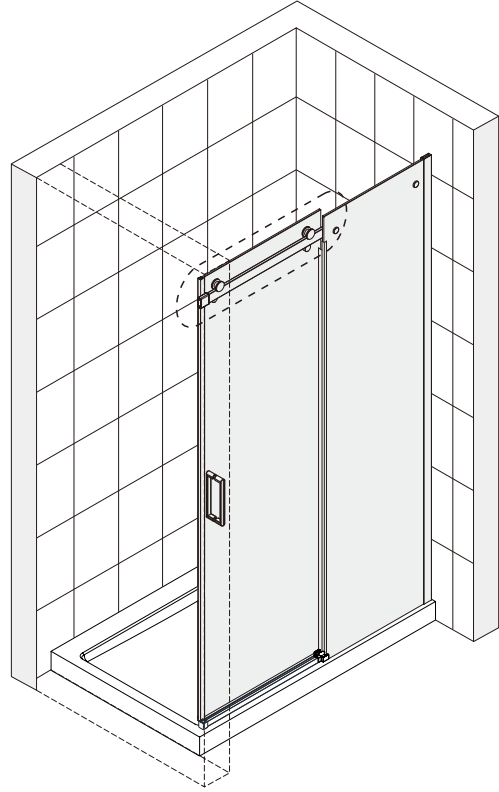
1. Adjust moving door(9). If door panel does not close properly, please adjust roller (by lifting it up or turning it downward), until door panel can be closed properly as shown below.



## Right hand Assembly

### STEP 10

1. Adjust moving door(9). If door panel does not close properly, please adjust roller (by lifting it up or turning it downward), until door panel can be closed properly as shown below.



# Lagoon Roller Door

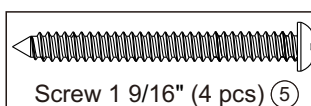
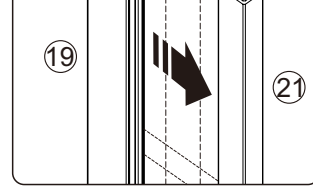
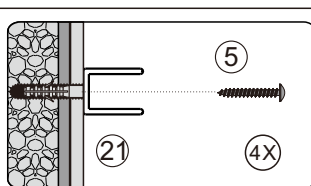
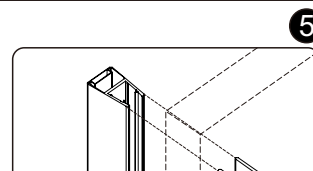
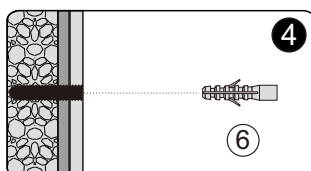
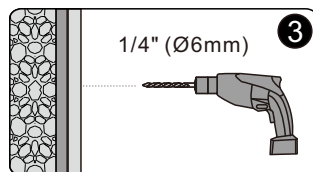
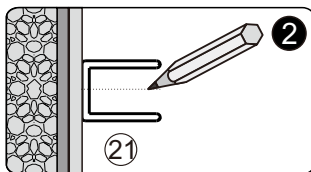
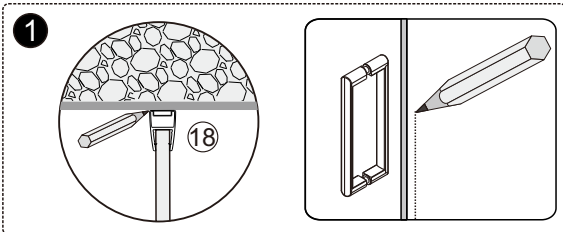
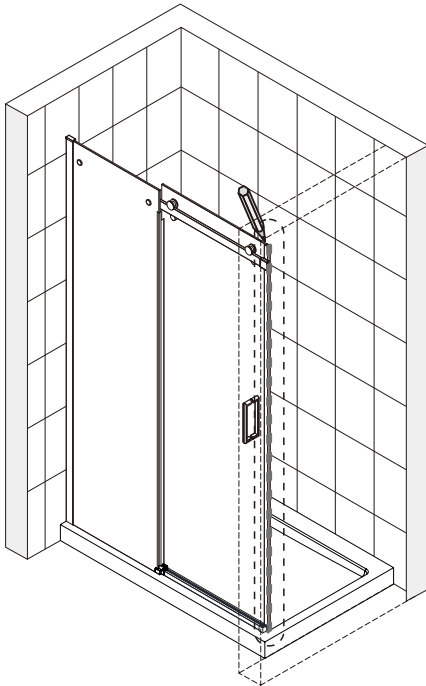
# FOREMOST

Customer Service 1-888-620-3667

## Left hand Assembly

### STEP 11

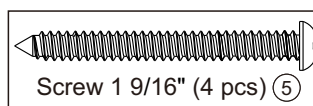
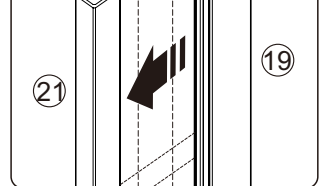
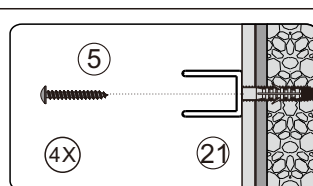
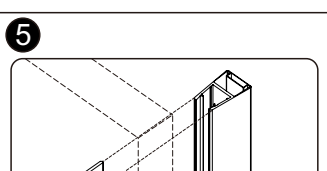
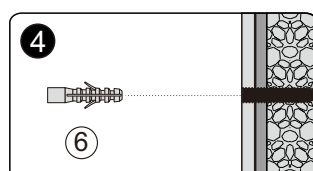
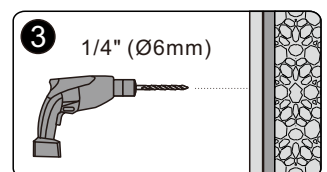
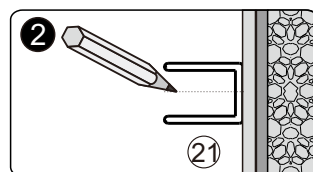
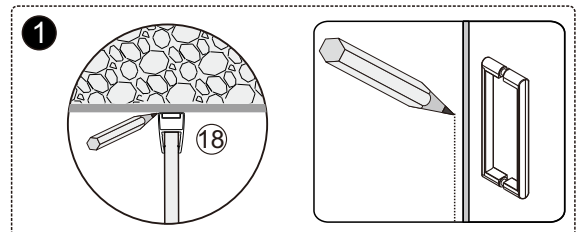
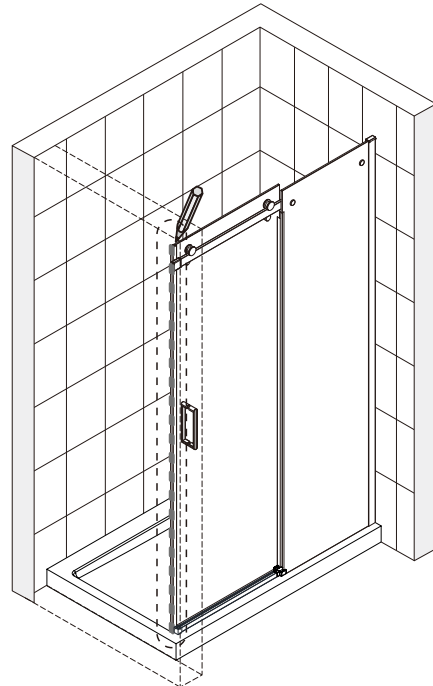
1. Install magnet(18) to the door panel, close against the wall to mark the installation position of magnetic aluminum(21).
2. Put magnetic aluminum(21) at the installation position, then mark its drilling hole position.
3. Drill hole with 1/4" drill bits.
4. Put wall anchor(6) into the hole.
5. Fix magnetic aluminum(21) with screw 1 9/16" (5) against wall.



## Right hand Assembly

### STEP 11

1. Install magnet(18) to the door panel, close against the wall to mark the installation position of magnetic aluminum(21).
2. Put magnetic aluminum(21) at the installation position, then mark its drilling hole position.
3. Drill hole with 1/4" drill bits.
4. Put wall anchor(6) into the hole.
5. Fix magnetic aluminum(21) with screw 1 9/16" (5) against wall.



# Lagoon Roller Door

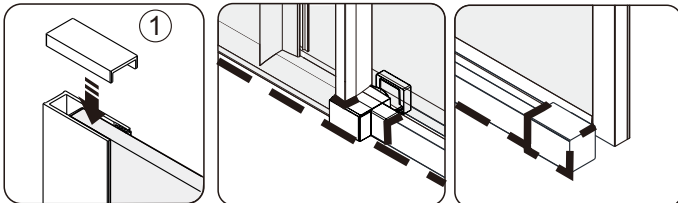
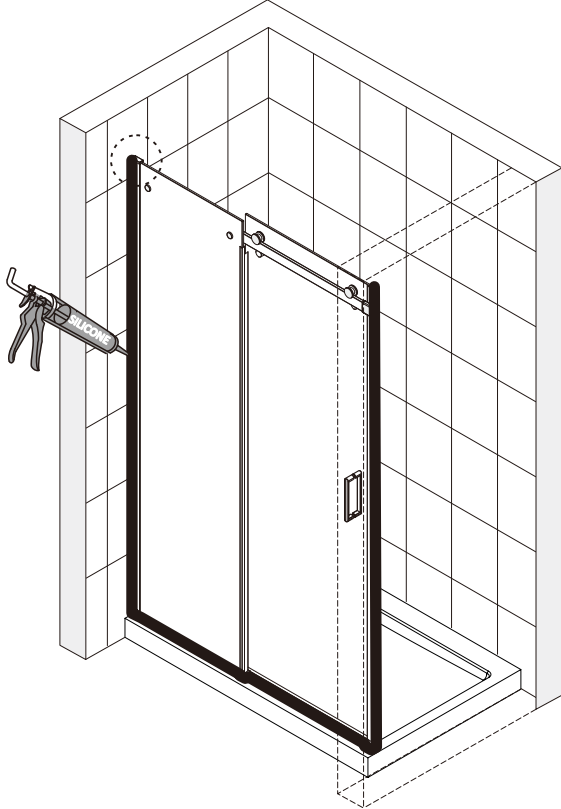
# FOREMOST

Customer Service 1-888-620-3667

## Left hand Assembly

### STEP 12

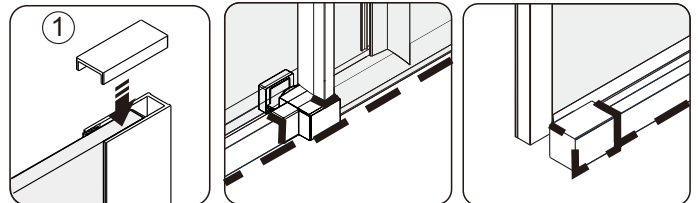
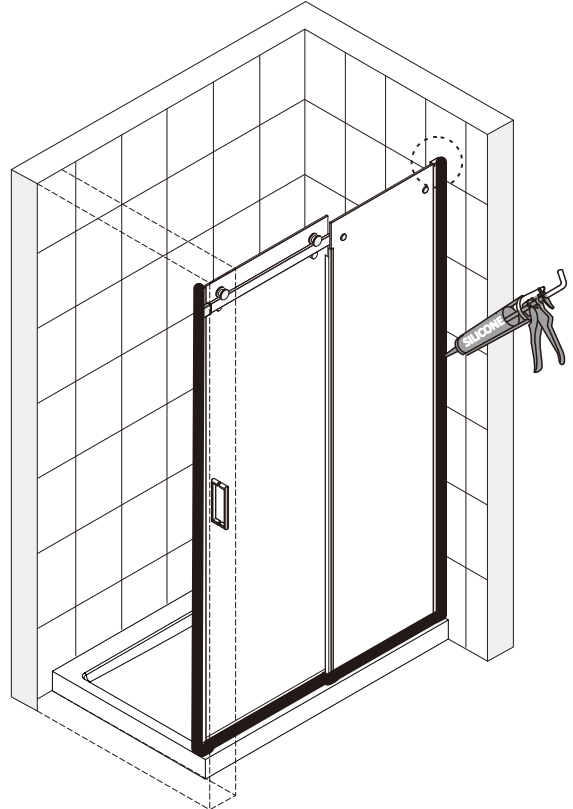
1. Place aluminium cap (1) onto the wall jamb (2).
2. Caulking, and not allow to open & close the door within 24 hours.



## Right hand Assembly

### STEP 12

1. Place aluminium cap (1) onto the wall jamb (2).
2. Caulking, and not allow to open & close the door within 24 hours.



**24**Hours

**FINAL STEP:** Caulk the inside sides of the shower door frame to seal. Keep the entire area dry for a minimum of **24** hours. Your installation is now complete. Thank you for choosing Foremost shower doors. ***If you have any questions or require any assistance please contact our customer service center in Hobart Indiana.***

**Toll Free:** 888.620.3667

**Email:** [kandBservice@foremostgroups.com](mailto:kandBservice@foremostgroups.com)

**Hours:** 8:00am-4:30pm (CST) Monday-Friday

# ATTENTION CONSUMER:

Important Shower Enclosure  
Warranty Information  
Please do not discard

Thank you for your purchase  
of a shower enclosure  
from Foremost Groups, Inc.

In order to be eligible for product warranty,  
please register your enclosure on our website  
within two (2) weeks of installation. Go to  
[www.foremostbath.com/warranty](http://www.foremostbath.com/warranty)  
or scan the code below and follow the instructions.

For any questions or comments  
about your new shower enclosure,  
please contact Foremost Customer Service at  
1-888-620-3667

Thank you!



FOREMOST®